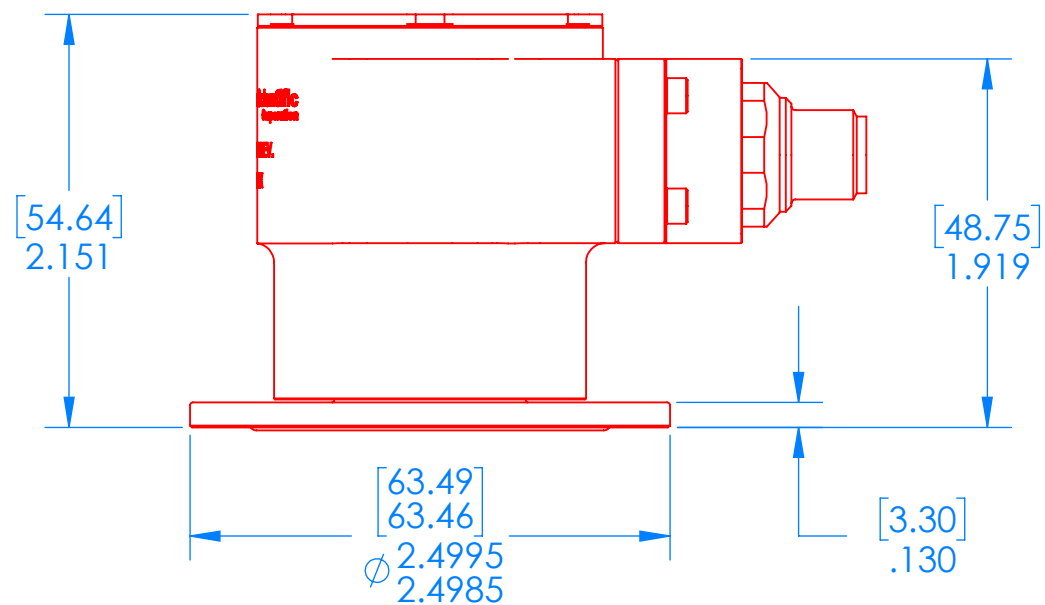
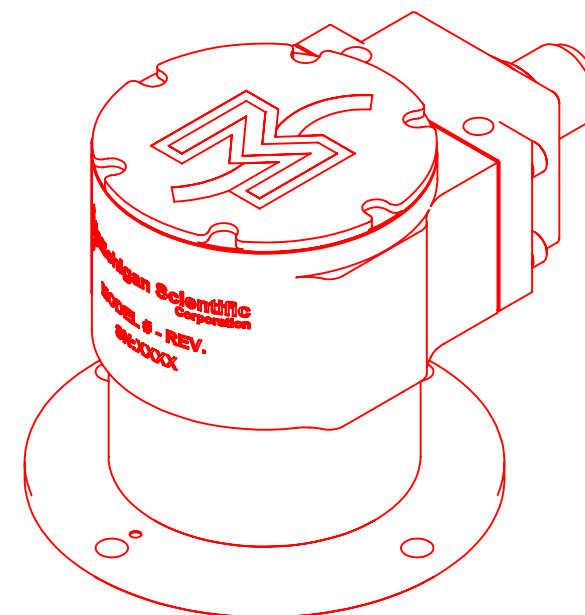
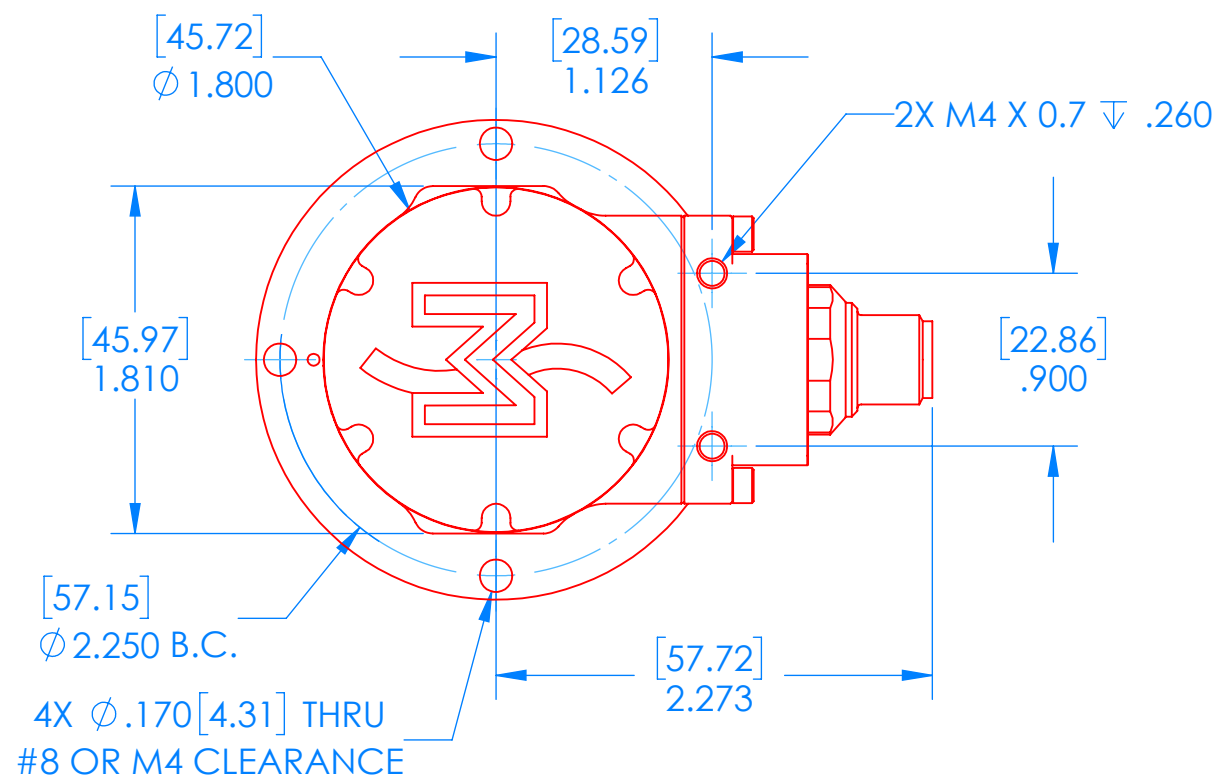
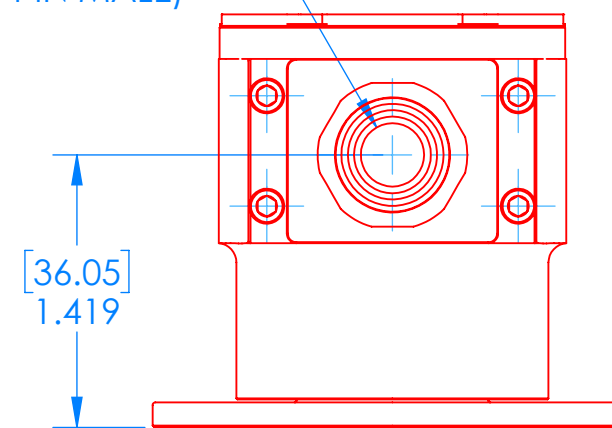


1018013

# WPT/E\_\_\_/S Customer Model



M12 CONNECTOR (8-PIN MALE)



UNLESS OTHERWISE SPECIFIED:  
 TOLERANCES:  
 .XXXX  $\pm$ .0010  
 .XXX  $\pm$ .005  
 .XX  $\pm$ .01

THIRD ANGLE PROJECTION



DETAILS AND SPECIFICATIONS  
 PROVIDED IN THIS DOCUMENT ARE  
 PURELY FOR INFORMATIONAL  
 PURPOSES AND ARE SUBJECT TO  
 ALTERATIONS. NO LIABILITY IS  
 ACCEPTED FOR ERRORS OR OMISSIONS.



MICHIGAN SCIENTIFIC CORPORATION  
 8500 ANCE ROAD  
 CHARLEVOIX, MICHIGAN 49720  
 www.michsci.com

PRODUCT LINE:  
 WHEEL PULSE TRANSDUCER  
 MODEL NUMBER:  
 WPT/E\_\_\_/S Customer Model

REV  
**C**

DWG. NO.  
1018013

SIZE  
**B**

REV DATE:  
11/19/21

SCALE: 1:1

SHEET 1 OF 1