

ALL RENTAL SYSTEMS INCLUDE:

- Transducer and Amplifier
- User Interface Box
- Slip Ring or Telemetry
- CAN Signal Cable
- User's Manual
- All Required Cabling and Fasteners
- Rugged Storage & Shipping Container
- Adapters Available

APPLICATIONS:

- Cars & SUVs
- Trucks
- Military Vehicles
- ATVs
- Agricultural Equipment
- Motorcycles

FEATURES:

- Rent-To-Own Program
- Wide Range of Capacities
- Fast Delivery
- Weatherproof (IP67)
- Excellent Customer Support
- Analog & CAN Signal Outputs
- Ethernet Data Recording Software
- Easy CT2 Interface User Set-Up



Michigan Scientific Corporation

www.michsci.com

8500 Ance Road
Charlevoix, MI 49720
Tel: 231-547-5511
Fax: 231-547-7070

321 East Huron Street
Milford, MI 48381
Tel: 248-685-3939
Fax: 248-685-5406

Details and specifications provided in this document are purely for informational purposes and are subject to alterations. No liability is accepted for errors or omissions.

©2024 Michigan Scientific Corporation
REV: January 3, 2024

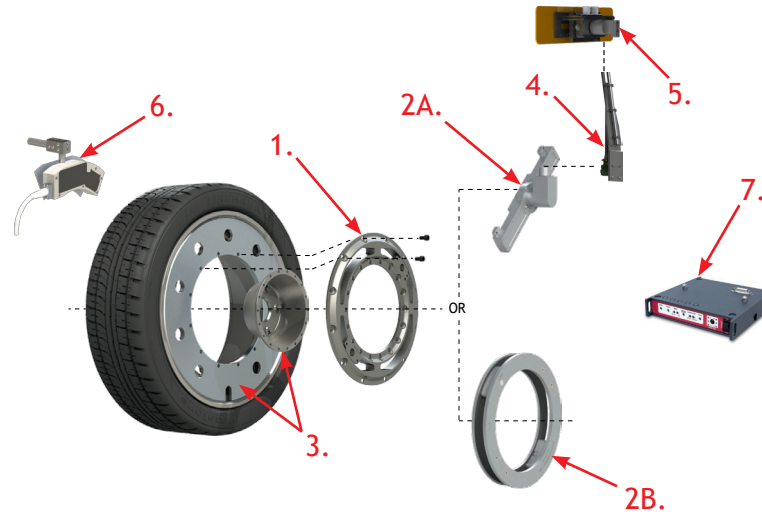
Wheel Force Transducer Rental Program



Michigan Scientific Corporation Wheel Force Transducers output three forces, three moments, two accelerations, wheel speed, and wheel position signals to provide complete spindle load data with extreme accuracy.

COMPONENTS:

1. Wheel Force Transducer (WFT)
2. Signal Conditioning:
 - A. Integrated Slip Ring & Amplifier Subassembly OR
 - B. Wireless Transmitter Subassembly
3. Custom Hub & Rim Adapter
4. Stator Restraint
5. Stator Angle Corrector (SAC)
6. Telemetry Stator Restraint and Bracket
7. WFT User Interface Electronics (CT2)



Every system combines a high strength, lightweight transducer with weatherproofed protective coatings to function in a variety of driving conditions.

Comprehensive support is available through phone, email, or on-site instruction. Michigan Scientific will provide on-site training and support at no charge if the facility is within 50 miles of Michigan Scientific. If the distance is greater, a travel fee would be charged.

Product engineers determine appropriate WFT rental models for any application providing availability, pricing, and customized adapter options. CAD models of the WFT adapter layout guidelines and design review are provided at no additional charge.

	LW-MC-3.5K	LW9.5a	LW12.8-50	LW60	LW65	LW-2T-20K	LW-2T-30K	LW-2T-40K	LW-2T-50K	LW-2T-60K-S	LW-2T-100K-S	LW-2T-100K
Applications	Motorcycle	ATVs & Small Vehicle	Passenger Car, SUV, & Light Duty Truck	Passenger Car, SUV, & Light Duty Truck	Passenger Car, SUV, & Light Duty Truck	Pick-Up Truck & Heavy SUV	Medium Duty Truck & Bus, Skid Steer	Forklift, Truck, & Bus	Highway Trucks & Agricultural Vehicles			
Fx, Fz Load Capacity	3,500 lbf (15.6 kN)	4,500 lbf (20 kN)	11,200 lbf (50 kN)	13,400 lb (60 kN)	14,500 lbf (65 kN)	20,000 lbf (90 kN)	30,000 lbf (133 kN)	40,000 lbf (178 kN)	50,000 lbf (222 kN)	67,400 lbf (300 kN)	100,000 lbf (445 kN)	
Fy Load Capacity	1,200 lbf (5.3 kN)	2,250 lbf (10 kN)	5,600 lbf (25 kN)	7,850 lb (35 kN)	7,850 lbf (35 kN)	10,000 lbf (44 kN)	15,000 lbf (66 kN)	20,000 lbf (89 kN)	25,000 lbf (111 kN)	33,700 lbf (150 kN)	50,000 lbf (225 kN)	
Mx, Mz Load Capacity	1,200 lbf·ft (1.6 kN·m)	2,200 lbf·ft (3 kN·m)	4,800 lbf·ft (6.5 kN·m)	5,900 lbf·ft (8.0 kN·m)	7,700 lbf·ft (10.5 kN·m)	11,000 lbf·ft (14.9 kN·m)	22,000 lbf·ft (30 kN·m)	30,000 lbf·ft (40 kN·m)	50,000 lbf·ft (68 kN·m)	60,000 lbf·ft (81 kN·m)	80,000 lbf·ft (108 kN·m)	100,000 lbf·ft (135 kN·m)
My Load Capacity	2,500 lbf·ft (3.4 kN·m)	2,200 lbf·ft (3 kN·m)	4,800 lbf·ft (6.5 kN·m)	6,650 lbf·ft (9.0 kN·m)	7,700 lbf·ft (10.5 kN·m)	15,00 lbf·ft (20 kN·m)	22,000 lbf·ft (30 kN·m)	30,000 lbf·ft (40 kN·m)	50,000 lbf·ft (68 kN·m)	60,000 lbf·ft (81 kN·m)	80,000 lbf·ft (108 kN·m)	100,000 lbf·ft (135 kN·m)
Max Static Corner Weight	700 lb (320 kg)	900 lb (410 kg)	2,250 lb (1,020 kg)	2,700 lb (1,225 kg)	2,900 lb (1,320 kg)	4,000 lb (1,815 kg)	6,000 lb (2,720 kg)	8,000 lb (3,630 kg)	10,000 lb (4,540 kg)	13,500 lb (6,125 kg)	20,000 lb (9,070 kg)	
Rim Size	≥ 11"	≥ 10"	≥ 13"	≥ 12"	≥ 12"	≥ 16"	≥ 15"		≥ 19.5"	≥ 20"		≥ 22.5"
Rental Adapter Sizes Available (in)	-	-	16 x 6.5, 17 x 7, 17 x 8, 18 x 8	-	-	-	-	-	22.5 x 8.25	22.5 x 8.25, 22.5 x 9, 22.5 x 11.75, 22.5 x 12.25		22.5 x 8.25
Nonlinearity * (% of Full Scale)	≤ 0.50	≤ 0.50	≤ .20	≤ 0.25	≤ 0.25	≤ 0.50	≤ 0.5	≤ 0.5	≤ 1.0	≤ 1.0		
Weight	5.0 lb (2.3 kg)	8.0 lb (3.6 kg)	10.3 lb (4.7 kg)	12.5 lb (5.7 kg)	17.5 lb (7.9 kg)	23.4 lb (10.6 kg)	22.0 lb (10.0 kg)		35.5 lb (16.1 kg)	58 lb (26 kg)	62 lb (28 kg)	
Version	Telemetry	Slip Ring	Slip Ring or Telemetry	Slip Ring and Telemetry	Slip Ring and Telemetry	Slip Ring						

* Nonlinearity may vary among data channels. See product datasheet for specifications of each channel.