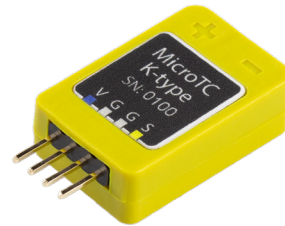
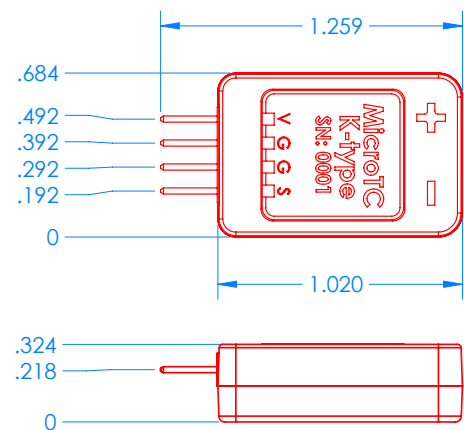
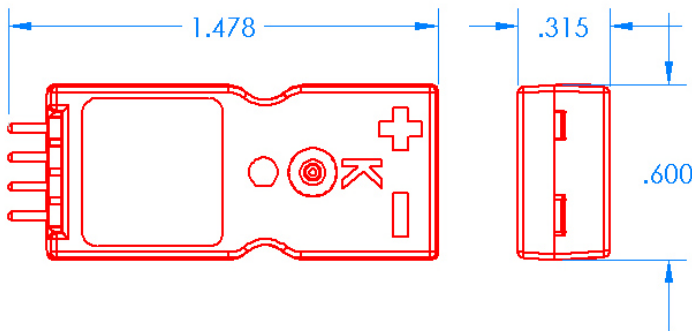


MicroTC Version Comparison



Previous Version		2022 Version
Two models (MicroTC-D, MicroTC-S) with different input ranges and power requirements	Variants	One model (MicroTC)
-25 °C to 400 °C (MicroTC-D) 5 °C to 400 °C (MicroTC-S)	Input Range (linear output)	-25 °C to 400 °C
-200 °C to 1360 °C (MicroTC-D) 5 °C to 1360 °C (MicroTC-S)	Input Range (w/ polynomial)	-200 °C to 970 °C
±7 to ± 16 Vdc (MicroTC-D) +7 to +16 Vdc (MicroTC-S)	Supply Voltage	+7 to +16 Vdc



8500 Ance Road
Charlevoix, MI 49720
Tel: 1-231-547-5511
Fax: 231-547-7070

 **Michigan Scientific**
Corporation.
www.michsci.com

321 East Huron Street
Milford, MI 48381
Tel: 1-248-685-3939
Fax: 248-684-5406