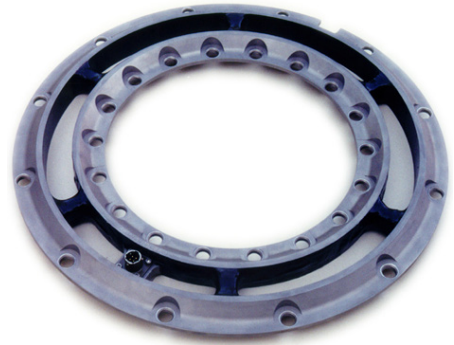


Wheel Torque Transducer

Model TW15.0

- 7,000 lbf · ft (9.5 kN · m) capacity
- Adapts to 15 in and larger wheels
- Environmentally protected
- Rugged stainless steel construction
- Consistent sensitivity among all units
- Configured to minimize magnetic sensitivity



Description

Michigan Scientific's *TW15.0 Wheel Torque Transducer* is ideal for measuring wheel torque on both light and medium duty trucks. Designed to attach to adapters that simulate production wheel rims, this unit provides one channel of torque data. The adapter system is fabricated by generating a profile of the original wheel rim and designing a hub adapter and rim adapter that duplicate the critical dimensions of the original rim. The hub adapter fastens to the interior bolt circle of the torque transducer, and the rim adapter fastens to the exterior bolt circle. The versatility of this system allows the torque transducer to be used with various wheel rim designs.

Both the torque and combined steer/camber moment load ratings of the *TW15.0* transducer are 7,000 lbf · ft. High grade stainless steel material and weatherproof sealing combine to provide excellent resistance to corrosion and environmental conditions. Temperature compensation ensures stable output throughout a wide temperature range. In addition, all wires are precisely located to reduce sensitivity to magnetic effects.

Specifications

Full Scale Measurable Load	7,000 lbf · ft (9.5 kN · m)
Maximum Torque Capacity	7,000 lbf · ft (9.5 kN · m)
Maximum Static Weight (Fz)	2,250 lb (1,000 kg)
Rim Size	≥ 15 in
Sensor	4 arm strain gauge bridge
Nonlinearity	≤ 0.1 % of full scale output
Hysteresis	0.05 % of full scale output
Temperature Range, Operating	-40 °F to 257 °F (-40 °C to 125 °C)
Excitation Voltage, Maximum	10 Vdc or Vac rms
IP Rating	IP67

8500 Ance Road
Charlevoix, MI 49720
Tel: 231-547-5511
Fax: 231-547-7070
03-7-22
Rev. A

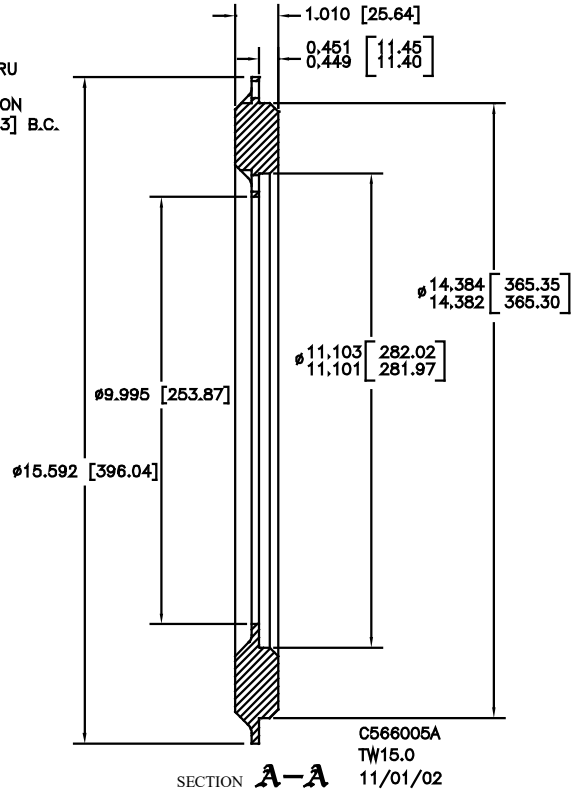
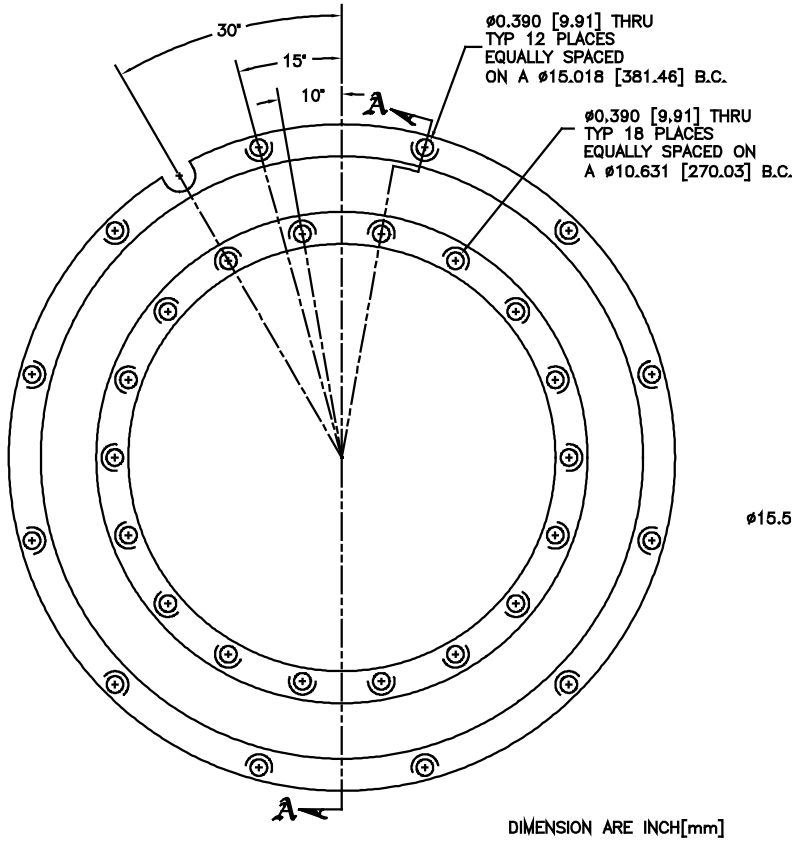
MICHIGAN SCIENTIFIC
corporation

<http://www.michsci.com>
Email: mscinfo@michsci.com

321 East Huron Street
Milford, MI 48381
Tel: 248-685-3939
Fax: 248-685-5406

Wheel Torque Transducer

TW15.0 Configuration



Ordering Options

Michigan Scientific offers a fully weatherproof slip ring, encoder, and amplifier instrumentation assembly to be used with all *Wheel Torque Transducers*. Refer to the Instrumentation Assemblies section for more information.

8500 Ance Road
 Charlevoix, MI 49720
 Tel: 231-547-5511
 Fax: 231-547-7070
 03-7-22
 Rev. A

MICHIGAN SCIENTIFIC
 corporation

<http://www.michsci.com>
 Email: mscinfo@michsci.com

321 East Huron Street
 Milford, MI 48381
 Tel: 248-685-3939
 Fax: 248-685-5406