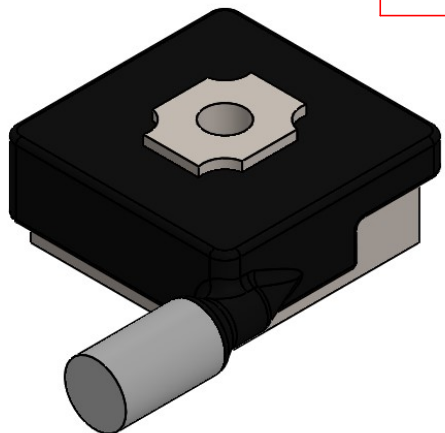
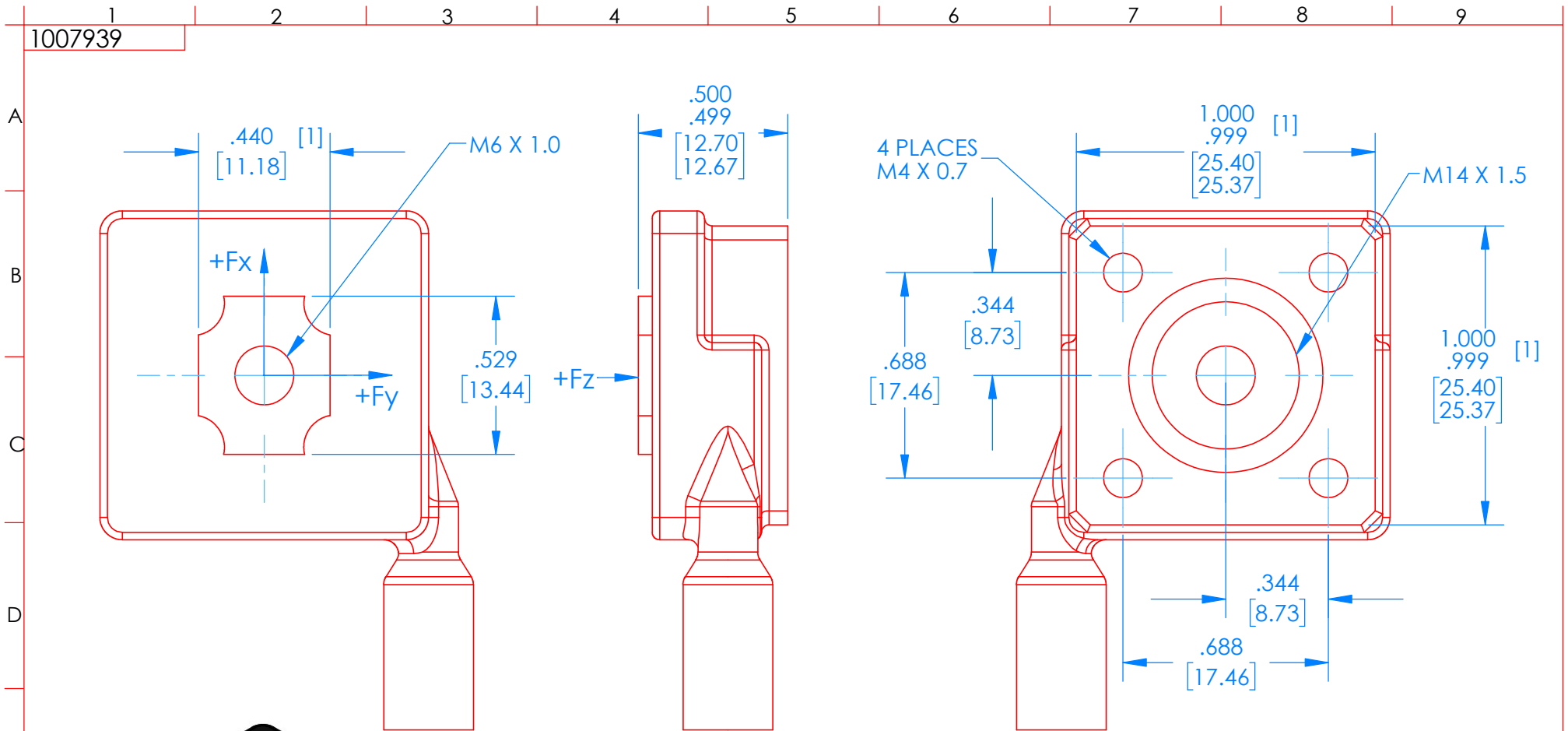



1007939



**Notes:**

- Dimensions are in inch [mm]; all tolerances are  $\pm 0.005$  in [ 0.13 mm] unless otherwise noted.
- Pilot surfaces: [1]; maximum recommended pilot depth = 0.020 in [0.51 mm].
- Positive outputs result when the transducer tip is displaced relative to the transducer base in the directions indicated.

DETAILS AND SPECIFICATIONS PROVIDED IN THIS DOCUMENT ARE PURELY FOR INFORMATIONAL PURPOSES AND ARE SUBJECT TO ALTERATIONS. NO LIABILITY IS ACCEPTED FOR ERRORS OR OMISSIONS

 <b>MICHIGAN SCIENTIFIC CORPORATION</b> 8500 ANCE ROAD CHARLEVOIX, MICHIGAN 49720 www.michsci.com	
<b>PRODUCT LINE:</b> THREE DIRECTIONAL LOAD CELLS	
<b>MODEL:</b> TR3D-B-1K	
<b>SIZE</b> <b>A</b>	<b>DWG. NO.</b> <b>1007939</b>
<b>SCALE:</b> 2:1	<b>SHEET 1 OF 1</b>