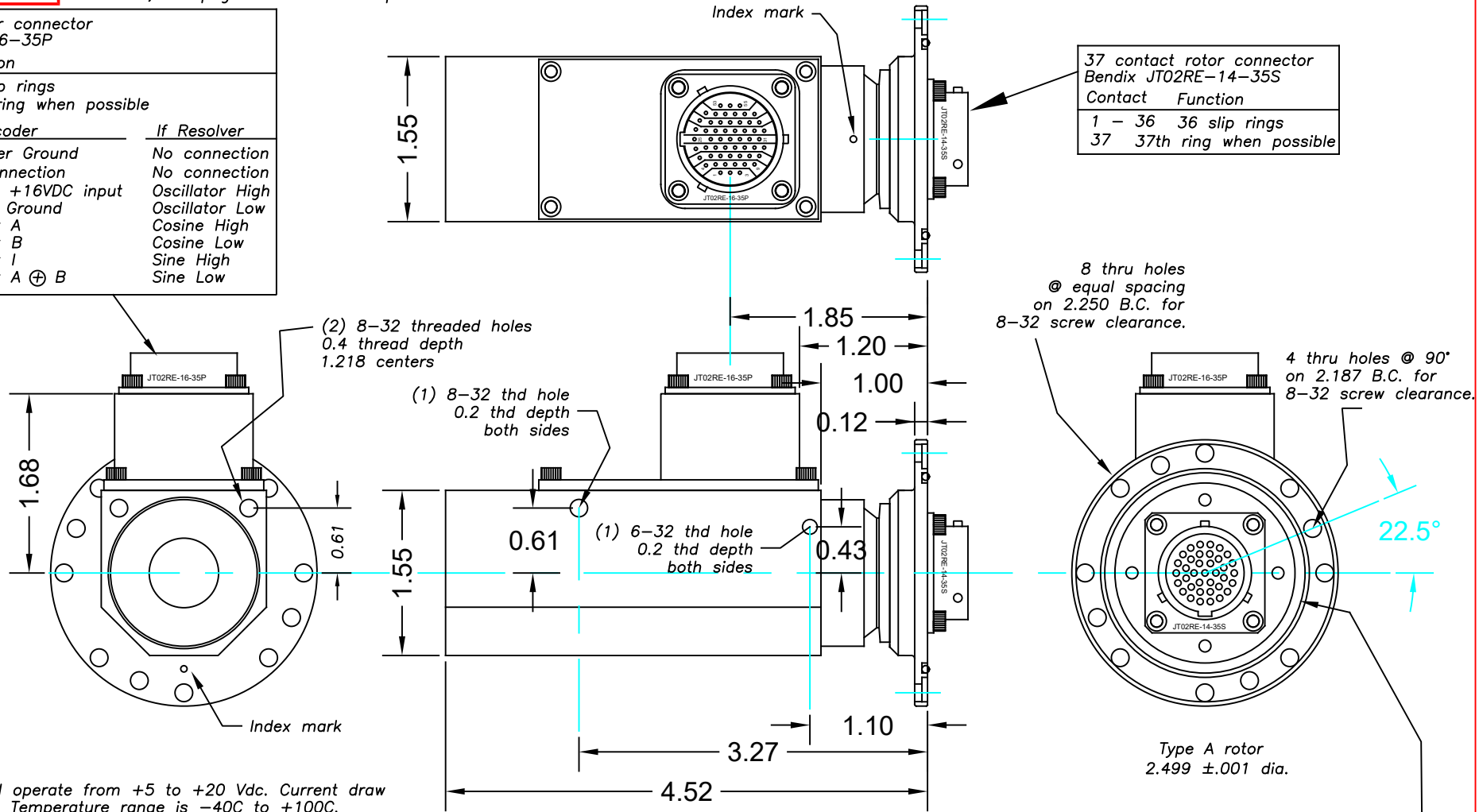


C33736CB

For connector dimensions and information about sealing backshells, see pages 4 - 8 of the price list.

55 contact stator connector Bendix JT02RE-16-35P		
Contact	Function	
1 - 36	36 slip rings	
37	37th ring when possible	
	If Encoder	If Resolver
38- 43	Encoder Ground	No connection
44- 49	No connection	No connection
50	+6 to +16VDC input	Oscillator High
51	Power Ground	Oscillator Low
52	Output A	Cosine High
53	Output B	Cosine Low
54	Output I	Sine High
55	Output A ⊕ B	Sine Low

37 contact rotor connector Bendix JT02RE-14-35S		
Contact	Function	
1 - 36	36 slip rings	
37	37th ring when possible	



The encoders will operate from +5 to +20 Vdc. Current draw is 50 to 90 mA. Temperature range is -40C to +100C.

The resolvers require a 10 KHz, 16 V peak to peak sine wave oscillator. The Michigan Scientific model RESSC-2-12V resolver electronics includes this oscillator. Temperature range of resolver units is -40C to +120C (-40F to +250F).

### SR/ERT series

Model SR36A\_/E\_\_\_/AX

Weight 17oz (20oz with mating connectors).

Model SR36A\_/R360/AX

Weight 18oz (21oz with mating connectors).

36 SLIP RINGS & AN OPTICAL ENCODER (E\_\_\_) OR RESOLVER (R360)  
IN A WEATHERPROOF HOUSING.

**MICHIGAN SCIENTIFIC CORPORATION**  
08500 ANCE ROAD  
CHARLEVOIX, MI 49720  
PHONE: (231)547-5511 FAX: (231)547-7070

TOLERANCES .xxxx ±.0005 .xxx ±.005 .xx ±.01 ANGLES ±°--- SURFACE FINISH ---RMS	DESIGNED BY: KDL DRAWN BY: KDL CHECKED BY:	DATE: 6-26-98 TITLE: OUTLINE DRAWING SHT OF SHTS: SIZE BH	SCALE: 1:1
DRAWING NO.: C33736CB	MATERIAL: 36 RINGS & ENCODER OR RESOLVER.		