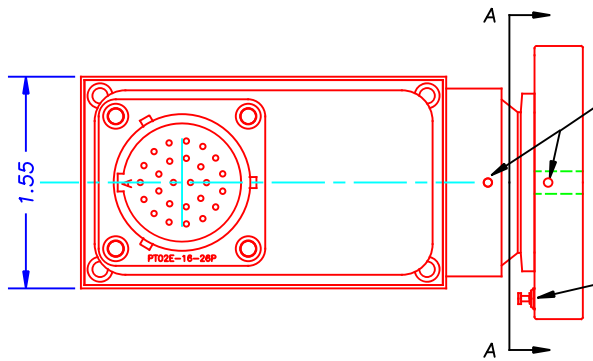
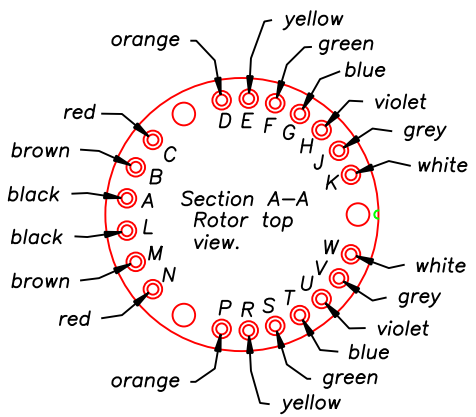


C337047B

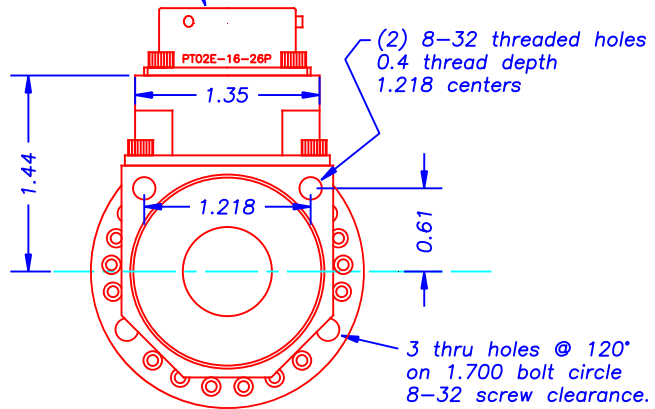
For connector dimensions and information about sealing backshells, see pages 4 - 8 of the price list.

DATE	BY	REVISION	LOC.

26 contact stator connector Bendix PT02E-16-26P			
Contact	Function		
A - W	20 slip rings		
	If Encoder	If Resolver	
X	+5 to +20VDC	Oscillator	High
Y	Ground	Oscillator	Low
Z	Output A	Cosine	High
a	Output B	Cosine	Low
b	Output I	Sine	High
c	Output A ⊕ B	Sine	Low

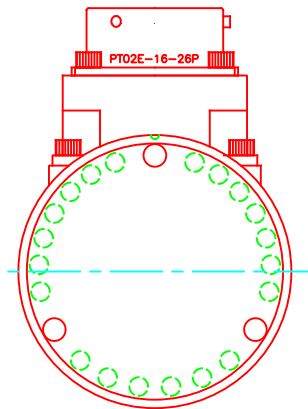
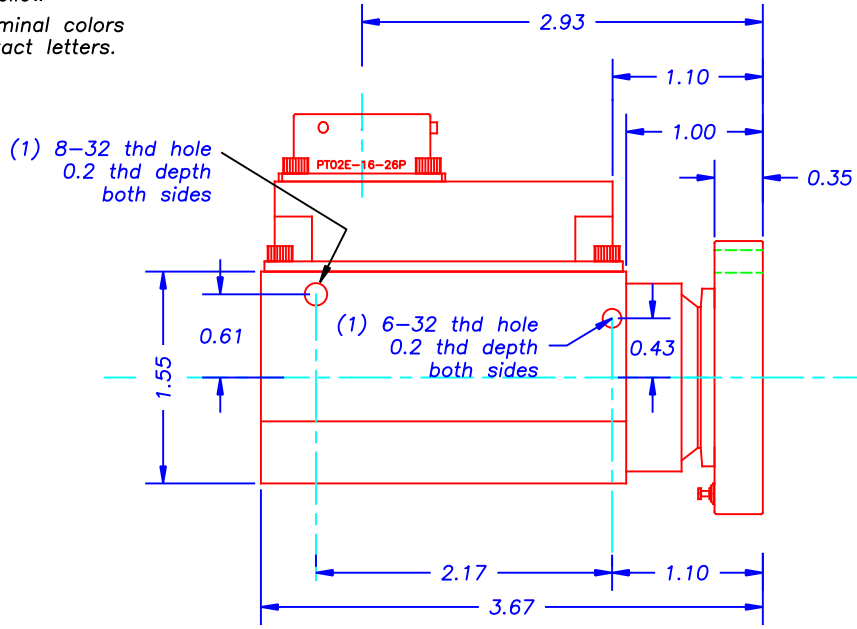


1 of 20 color coded solder terminals on rotor for connection to the slip rings. The corresponding connector contact letter is also engraved on rotor. When exposed to water, these terminals should be sealed with Dow Corning 3145 RTV silicone rubber sealant.



The encoders will operate over a range of +5 to +20 Vdc. Current draw is 50 to 100 mA. Temperature range is -40C to +100C.

The resolvers require a 10 KHz, 16 V peak to peak sine wave oscillator. The Michigan Scientific model RESSC-2-12V resolver electronics includes this oscillator. Temperature range of resolver units is -40C to +120C (-40F to +250F).



SR/ERT series

Model SR20M\_/E\_\_\_/X2 Weight 13oz (15oz with mating connector).

Model SR20M\_/R360/X2 Weight 14oz (16oz with mating connector).

20 SLIP RINGS & AN ENCODER (E\_\_\_) OR RESOLVER (R360) IN A WEATHERPROOF HOUSING.

**MICHIGAN SCIENTIFIC CORPORATION**  
08500 ANCE ROAD  
CHARLEVOIX, MI 49720  
PHONE: (231)547-5511 FAX: (231)547-7070

TOLERANCES .xxxx ±.0005 .xxx ±.005 .xx ±.01 ANGLES ±--- SURFACE FINISH ---RMS	DESIGNED BY: KDL DRAWN BY: KDL CHECKED BY:	DATE: 2-7-00 TITLE: OUTLINE DRAWING SHT OF SHTS: SIZE BH	SCALE: 1:1
DRAWING NO.: C337047B	MATERIAL: 20 SLIP RINGS & ENCODER or RESOLVER		