

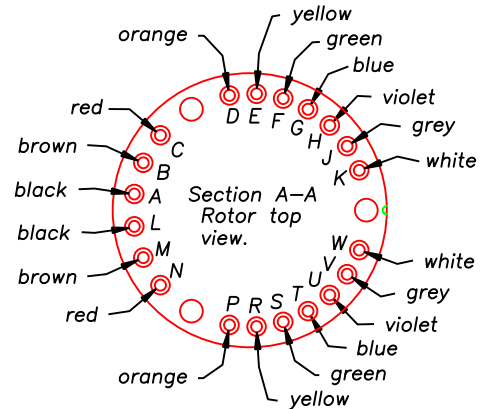
C33720BB

For connector dimensions and information about sealing backshells, see pages 4 - 8 of the price list.

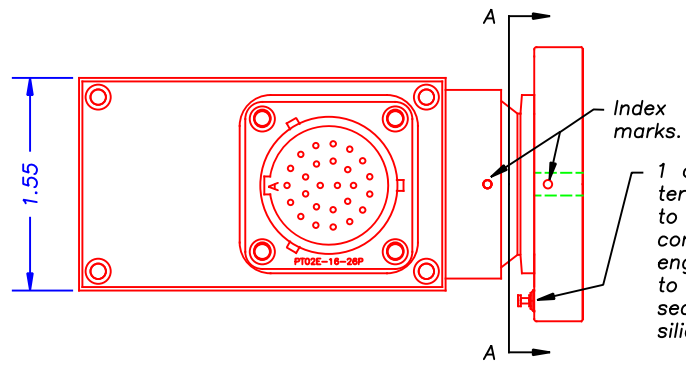
DATE	BY	REVISION	LOC.

26 contact stator connector
Bendix PT02E-16-26P

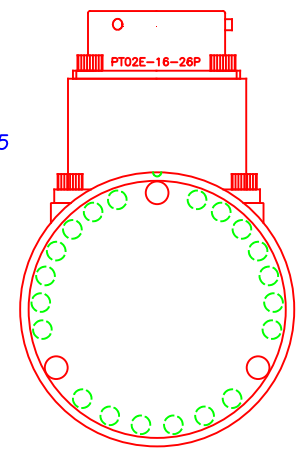
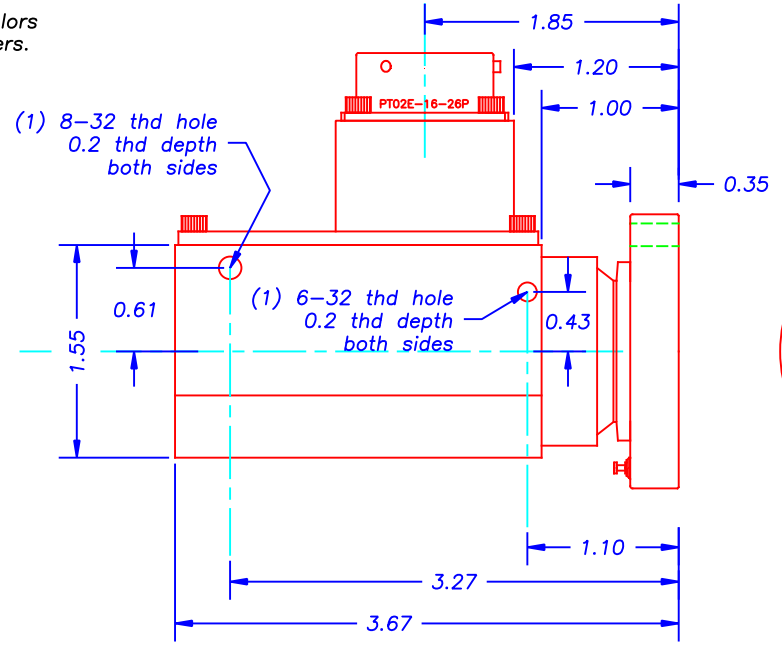
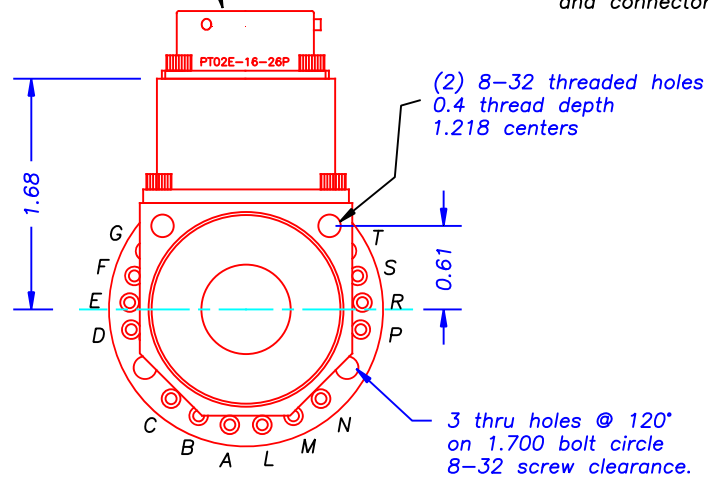
Contact	Function
A - W	20 slip rings
	<i>If Encoder</i>
X	+5 to +20VDC
Y	Ground
Z	Output A
a	Output B
b	Output I
c	Output A ⊕ B
	<i>If Resolver</i>
	Oscillator High
	Oscillator Low
	Cosine High
	Cosine Low
	Sine High
	Sine Low



Wiring diagram: terminal colors and connector contact letters.



1 of 20 color coded solder terminals on rotor for connection to the slip rings. The corresponding connector contact letter is also engraved on rotor. When exposed to water, these terminals should be sealed with Dow Corning 3145 RTV silicone rubber sealant.



Type M rotor
1.9990 ± 0.0005 dia.

The encoders will operate from +5 to +20 Vdc. Current draw is 50 to 90 mA. Temperature range is -40C to +100C.

The resolvers require a 10 KHz, 16 V peak to peak sine wave oscillator. The Michigan Scientific model RESSC-2-12V resolver electronics includes this oscillator. Temperature range of resolver units is -40C to +120C (-40F to +250F).

SR/ERT series
Model SR20M_/E___/X
Model SR20M_/R360/X

Weight 13oz (15oz with mating connector).
Weight 14oz (16oz with mating connector).

20 SLIP RINGS & AN OPTICAL ENCODER (E___) OR RESOLVER (R360) IN A WEATHERPROOF HOUSING.

MICHIGAN SCIENTIFIC CORPORATION
08500 ANCE ROAD
CHARLEVOIX, MI 49720
PHONE: (231)547-5511 FAX: (231)547-7070

TOLERANCES .xxxx ±.0005 .xxx ±.005 .xx ±.01 ANGLES ±.°-°-° SURFACE FINISH ---RMS	DESIGNED BY: KDL DRAWN BY: KDL CHECKED BY:	DATE: 2-4-00 TITLE: OUTLINE DRAWING SHT OF SHTS: SIZE BH	SCALE: 1:1
DRAWING NO.: C33720BB	MATERIAL: 20 RINGS & ENCODER OR RESOLVER.		