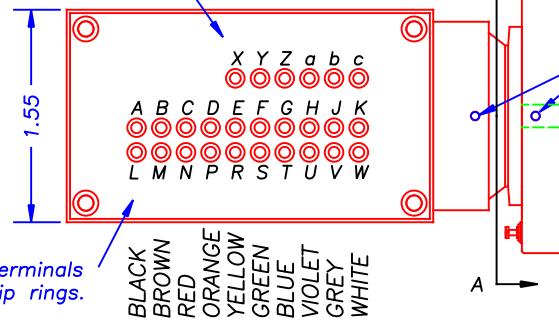
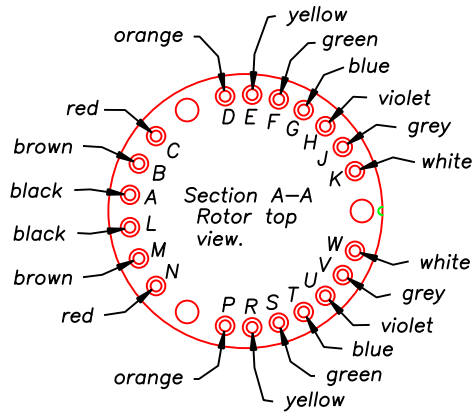


C337048B

DATE	BY	REVISION	LOC.
2-9-00	KDL	Separated from C337015B.	
2-14-00	KDL	Added information.	

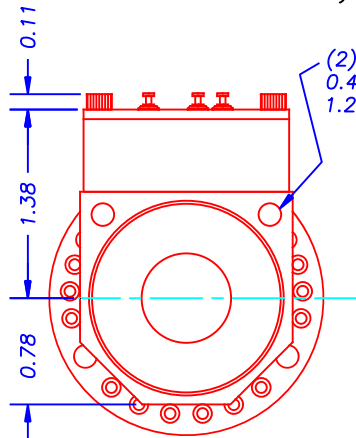
6 solder terminals for rotation sensor.

	If Encoder		If Resolver	
	Color	Function	Color	Function
X	White	+5 to +20VDC	Orange	Oscillator High
Y	Black	Ground	Grey	Oscillator Low
Z	Red	Output A	Yellow	Cosine High
a	Orange	Output B	Blue	Cosine Low
b	Yellow	Output I	Red	Sine High
c	Violet	Output A ⊕ B	Black	Sine Low



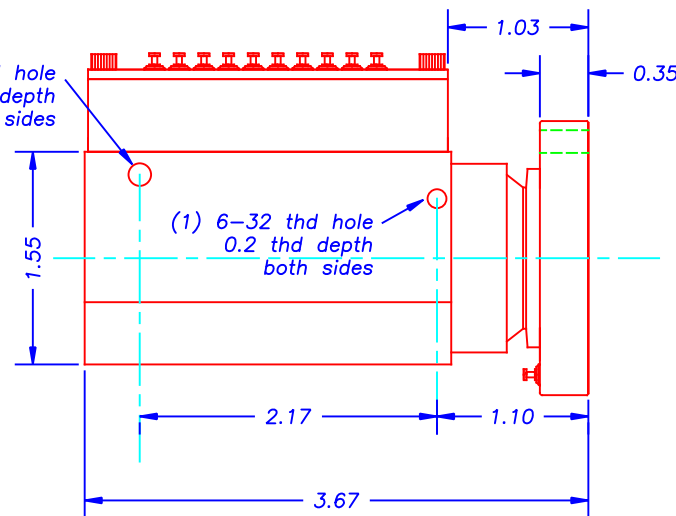
Index marks.

Note: If this unit will be used in wet weather, it should be ordered with rotary seals (W) and these 2 joints and all terminals need a sealant. Dow Corning 3145 RTV silicone rubber is recommended.

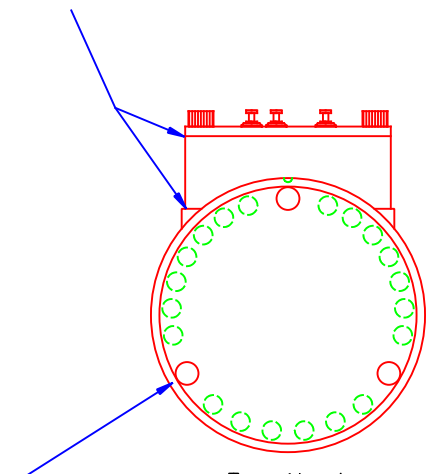


(2) 8-32 threaded holes  
0.4 thread depth  
1.218 centers

(1) 8-32 thd hole  
0.2 thd depth  
both sides



(1) 6-32 thd hole  
0.2 thd depth  
both sides



Type M rotor  
1.9990 ±.0005 dia.

3 thru holes @ 120°  
on 1.700 bolt circle  
8-32 screw clearance.

The encoders will operate from +5 to +20 Vdc. Current draw is 50 to 90 mA. Temperature range is -40C to +100C.

The resolvers require a 10 KHz, 16 V peak to peak sine wave oscillator. The Michigan Scientific model RESSC-2-12V resolver electronics includes this oscillator. Temperature range of resolver units is -40C to +120C (-40F to +250F).

SR/ERT series

Model SR20M/E\_\_\_\_\_ Weight 13 ounces.

Model SR20M/R360 Weight 14 ounces.

20 SLIP RINGS & AN OPTICAL ENCODER (E\_\_\_\_) OR RESOLVER (R360) IN A NOT VERY WEATHERPROOF HOUSING.

**MICHIGAN SCIENTIFIC CORPORATION**  
 08500 ANCE ROAD  
 CHARLEVOIX, MI 49720  
 PHONE: (231)547-5511 FAX: (231)547-7070

TOLERANCES .xxxx ±.0005 .xxx ±.005 .xx ±.01 ANGLES ±°-'-" SURFACE FINISH ---RMS	DESIGNED BY: KDL DRAWN BY: KDL CHECKED BY: MATERIAL: C337048B	DATE: 7-8-98 TITLE: OUTLINE DRAWING SHT OF SHTS: 1 SIZE: BH	SCALE: 1:1
--	--	--	------------