

C33721TB

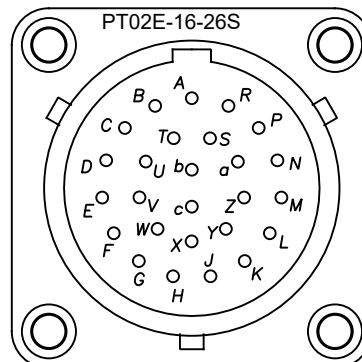
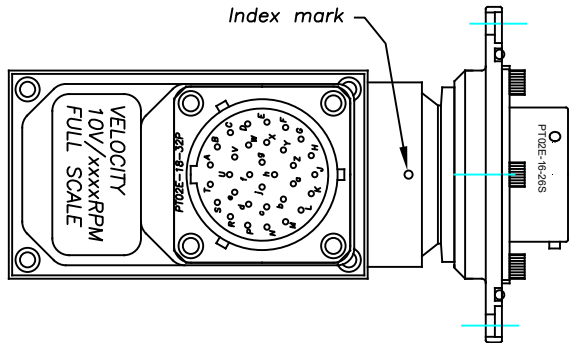
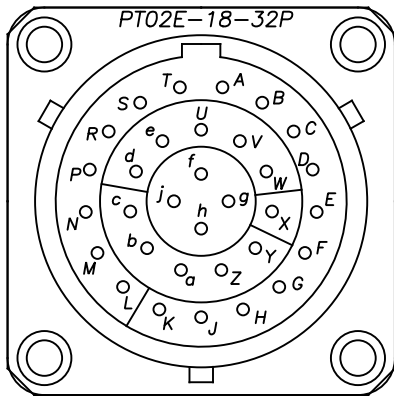
THE VELOCITY OUT (PIN b) HAS 2 SPEED RANGES AVAILABLE. USE PIN Y TO ACCESS THE 2ND RANGE.
 THE VELOCITY OUTPUT IS 1000 RPM = 10V WHEN PIN Y IS LEFT OPEN.
 THE VELOCITY OUTPUT IS 1800 RPM = 10V WHEN PIN Y IS GROUND.

PIN Z CONTROLS THE POLARITY OF THE VELOCITY OUTPUT (POSITIVE FOR CW ROTATION WHEN LEFT OPEN, CCW WHEN GROUND)
 WHEN CHANGING VELOCITY RANGE OR DIRECTION, FOR THE CHANGE TO TAKE EFFECT, TURN THE POWER OFF,
 WAIT 1 MINUTE (OR DISCONNECT) AND THEN TURN THE POWER BACK ON..

32 contact stator connector
 Bendix PT02E-18-32P

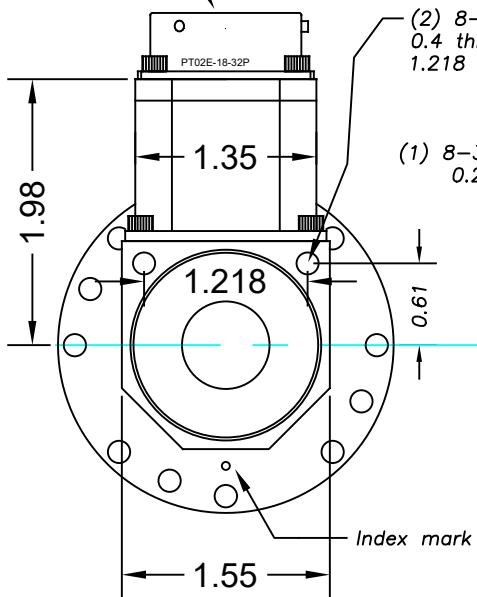
Contact	Function
A - W	20 slip rings

Encoder	
X	Encoder (& power) ground
Y	Option pin 1
Z	Option pin 2
a	Velocity+Position Ground
b	Velocity output
c	Position output
d	+8 to +18VDC input
e	Power (& encoder) ground
f	Output A
g	Output B
h	Output I
j	Output A ⊕ B



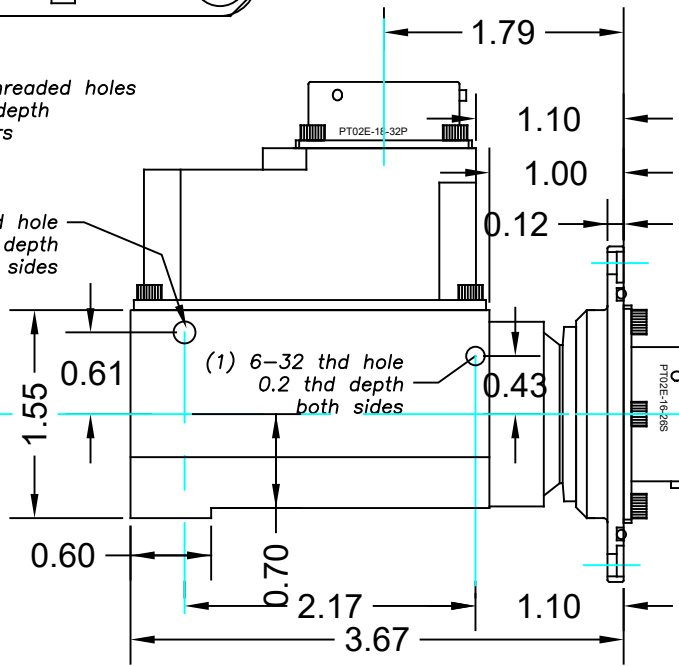
26 contact rotor connector
 Bendix PT02E-16-26S

Contact	Function
A - W	20 slip rings
X - c	No connection

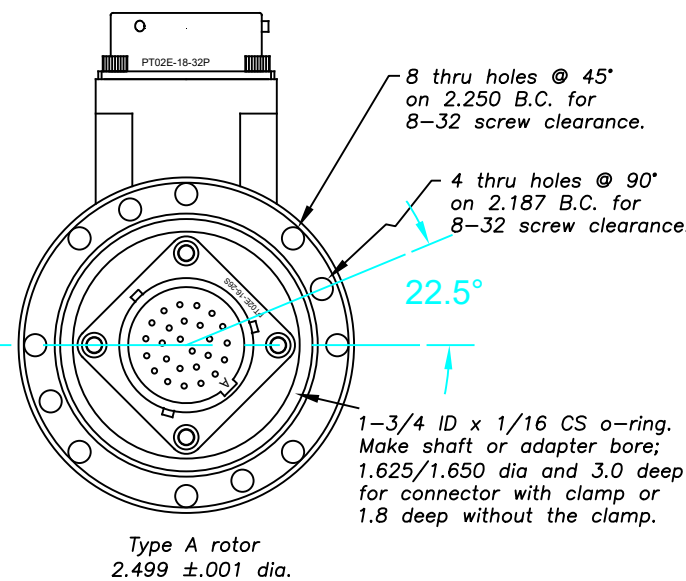


(2) 8-32 threaded holes
 0.4 thread depth
 1.218 centers

(1) 8-32 thd hole
 0.2 thd depth
 both sides



(1) 6-32 thd hole
 0.2 thd depth
 both sides



8 thru holes @ 45°
 on 2.250 B.C. for
 8-32 screw clearance.

4 thru holes @ 90°
 on 2.187 B.C. for
 8-32 screw clearance.

22.5°

1-3/4 ID x 1/16 CS o-ring.
 Make shaft or adapter bore;
 1.625/1.650 dia and 3.0 deep
 for connector with clamp or
 1.8 deep without the clamp.

Type A rotor
 2.499 ±.001 dia.

Weight 15oz. (19oz. with mating connectors).
 The encoder & its' electronics requires a
 +8 to +18Vdc, 200mA power supply.
 Temperature range of the electronics is -40C to +85C.

SR/ERT series
 Model SR20A_/T___/AX

20 SLIP RINGS & AN ENCODER WITH BUILT IN ENCODER ELECTRONICS
 IN A WEATHERPROOF HOUSING.

MICHIGAN SCIENTIFIC CORPORATION
 08500 ANCE ROAD
 CHARLEVOIX, MI 49720
 PHONE: (231)547-5511 FAX: (231)547-7070

TOLERANCES .xxxx ±.0005 .xxx ±.005 .xx ±.01 ANGLES ±'---' SURFACE FINISH ---RMS	DESIGNED BY: KDL DRAWN BY: KDL CHECKED BY:	DATE: 12-11-98 TITLE: OUTLINE DRAWING SHT OF SHTS: SIZE BH	SCALE: 1:1
DRAWING NO.: C33721TB	MATERIAL: 20 SLIP RINGS & ENCODER & ENCODER ELECTRONICS		