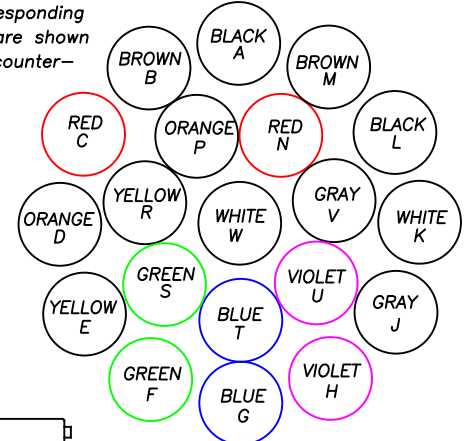
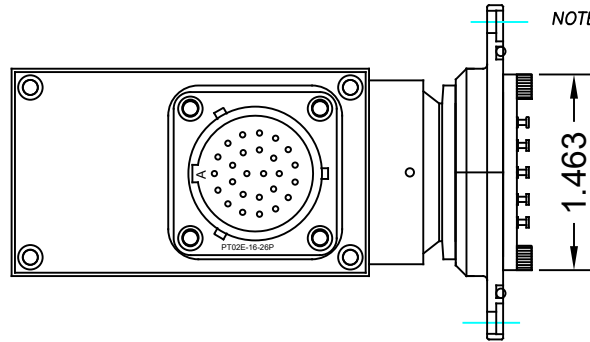


C337015B

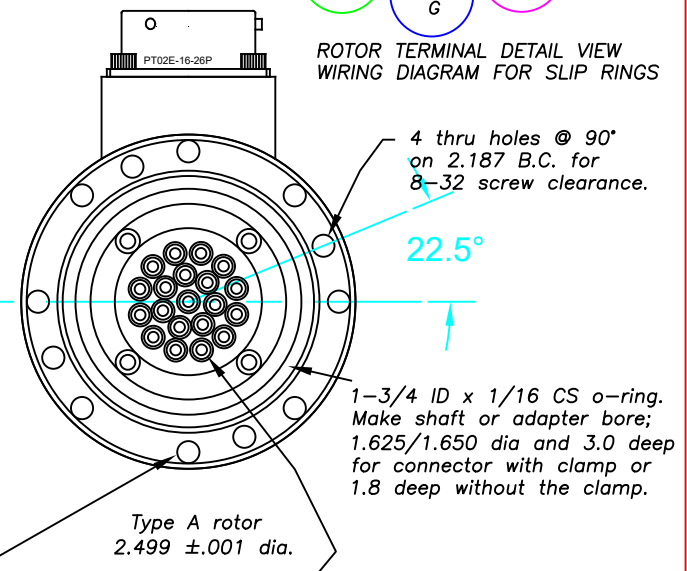
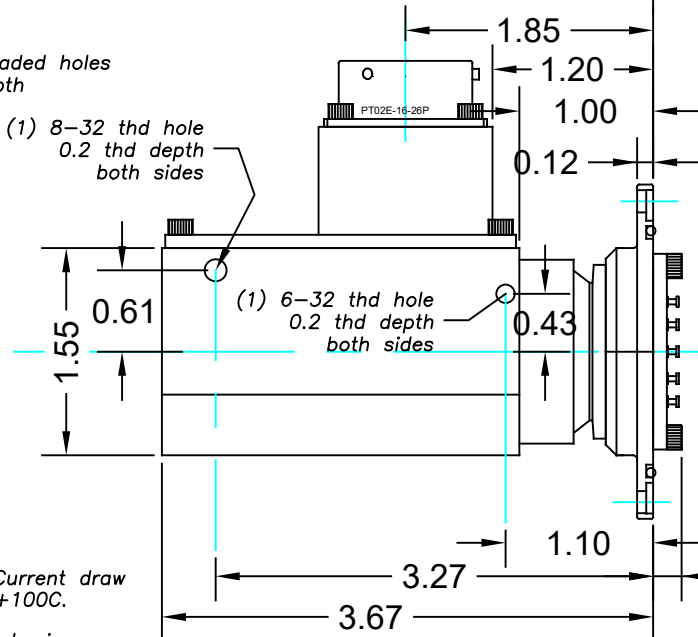
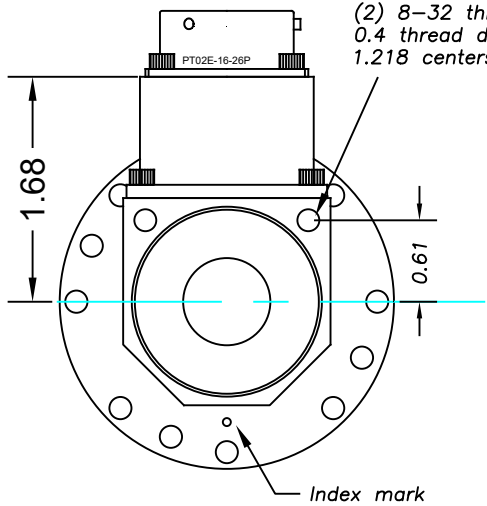
For connector dimensions and information about sealing backshells, see tech note 107.

26 contact stator connector
Bendix PT02E-16-26P

Contact	Function
A - W	20 slip rings
	<u>If Encoder</u> <u>If Resolver</u>
X	+5 to +20VDC Oscillator High
Y	Ground Oscillator Low
Z	Output A Cosine High
a	Output B Cosine Low
b	Output I Sine High
c	Output A ⊕ B Sine Low



ROTOR TERMINAL DETAIL VIEW
WIRING DIAGRAM FOR SLIP RINGS



The encoders will operate from +5 to +20 Vdc. Current draw is 50 to 90 mA. Temperature range is -40C to +100C.

The resolvers require a 10 KHz, 16 V peak to peak sine wave oscillator. The Michigan Scientific model RESSC-2-12V resolver electronics includes this oscillator. Temperature range of resolver units is -40C to +120C (-40F to +250F).

These 20 slip ring solder terminals on the rotor need to be sealed with Dow Corning 3145 RTV silicone rubber sealant, if they will be exposed to liquids.

SR/ERT series
Model SR20A_/E___/TX Weight 15 ounces (17 oz. with mating connector).
Model SR20A_/R360/TX Weight 16 ounces (18 oz. with mating connector).
20 SLIP RINGS & AN OPTICAL ENCODER (E___) OR RESOLVER (R360)
IN A WEATHERPROOF HOUSING.

MICHIGAN SCIENTIFIC CORPORATION
08500 ANCE ROAD
CHARLEVOIX, MI 49720
PHONE: (231)547-5511 FAX: (231)547-7070

TOLERANCES .xxxx ±.0005 .xxx ±.005 .xx ±.01 ANGLES ±--- SURFACE FINISH ---RMS	DESIGNED BY: KDL DRAWN BY: KDL CHECKED BY:	DATE: 7-8-98 TITLE: OUTLINE DRAWING SHT OF SHTS: SIZE BH	SCALE: 1:1
DRAWING NO.: C337015B	MATERIAL: 20 RINGS & ENCODER OR RESOLVER.		