

C33720CB

For connector dimensions and information about sealing backshells, see pages 4 - 8 of the price list.

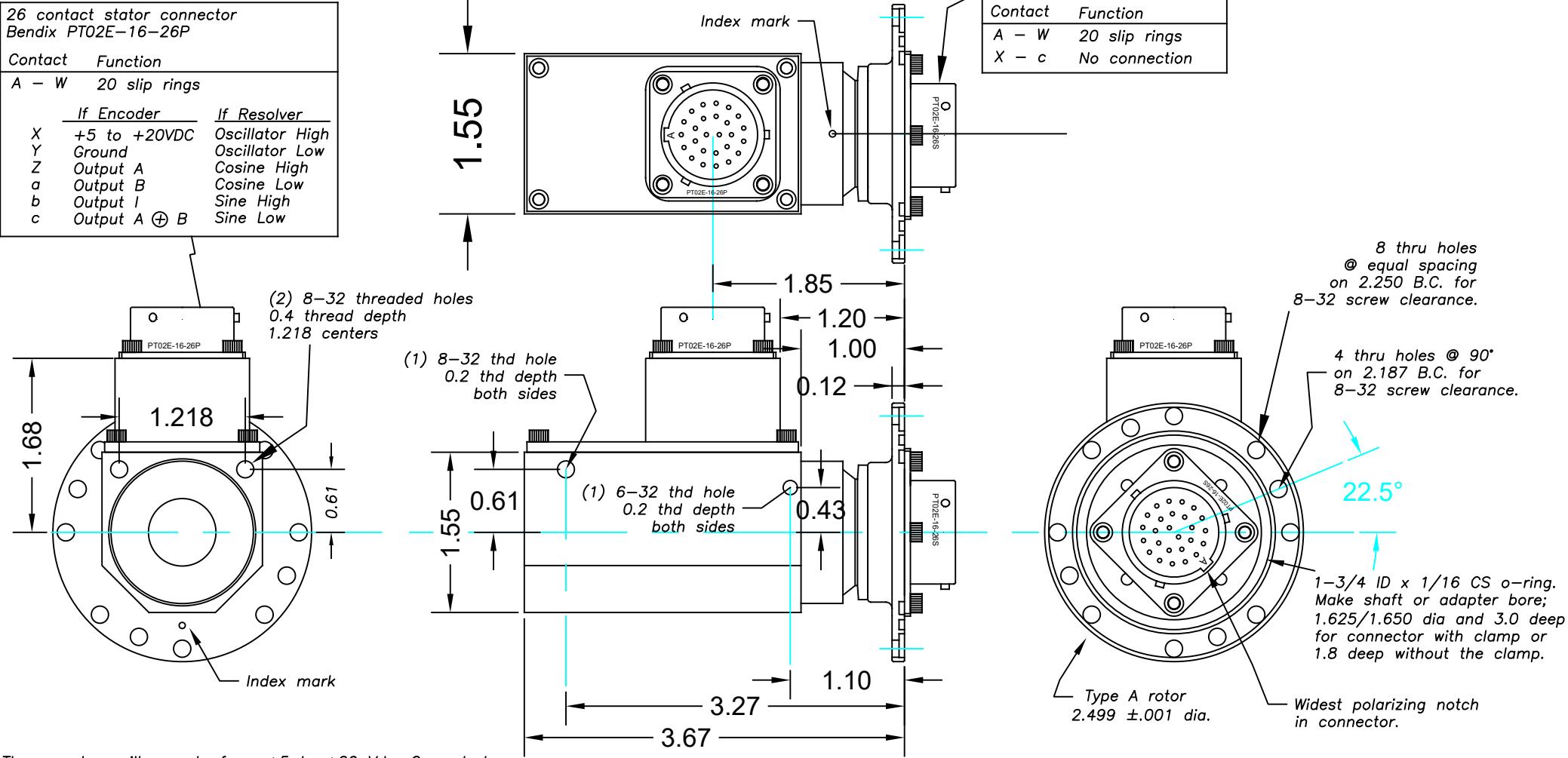
26 contact stator connector
Bendix PT02E-16-26P

Contact	Function
A - W	20 slip rings

	If Encoder	If Resolver
X	+5 to +20VDC	Oscillator High
Y	Ground	Oscillator Low
Z	Output A	Cosine High
a	Output B	Cosine Low
b	Output I	Sine High
c	Output A ⊕ B	Sine Low

26 contact rotor connector
Bendix PT02E-16-26S

Contact	Function
A - W	20 slip rings
X - c	No connection



The encoders will operate from +5 to +20 Vdc. Current draw is 50 to 90 mA. Temperature range is -40C to +100C.

The resolvers require a 10 KHz, 16 V peak to peak sine wave oscillator. The Michigan Scientific model RESSC-2-12V resolver electronics includes this oscillator. Temperature range of resolver units is -40C to +120C (-40F to +250F).

The orientation of the rotor connector shown here applies only to units with encoders. For units with resolvers and Bendix PT02E-16-26S connector, the polarizing notch is rotated 90 CW. For resolvers with Bendix JT02RE-14-35S connectors, the polarizing notch is rotated 135 degrees CW. See drawings outside the border of this drawing.

SR/ERT series
Model SR20A_/E___/AX Weight 15oz (19oz with mating connectors).
Model SR20A_/R360/AX Weight 16oz (20oz with mating connectors).
20 SLIP RINGS & AN OPTICAL ENCODER (E___) OR RESOLVER (R360)
IN A WEATHERPROOF HOUSING.

<p>MICHIGAN SCIENTIFIC CORPORATION 08500 ANCE ROAD CHARLEVOIX, MI 49720 PHONE: (231)547-5511 FAX: (231)547-7070</p>	<p>TOLERANCES .xxxx ±.0005 .xxx ±.005 .xx ±.01 ANGLES ±°-'-" SURFACE FINISH ---RMS</p>	<p>DESIGNED BY: KDL DRAWN BY: KDL CHECKED BY:</p>	<p>DATE: 7-1-98 TITLE: OUTLINE DRAWING SHT OF SHTS: 1 SIZE: BH</p>	<p>SCALE: 1:1</p>	
	<p>DRAWING NO.: C33720CB</p>	<p>MATERIAL: 20 RINGS & ENCODER OR RESOLVER.</p>			