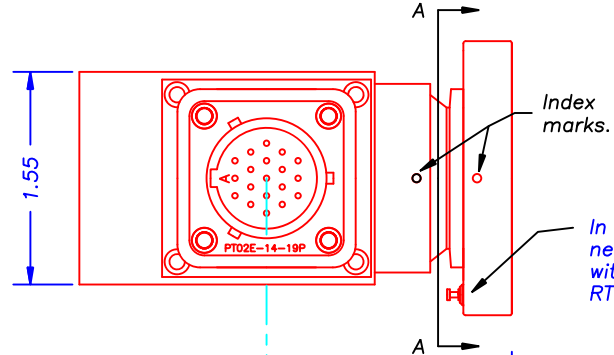
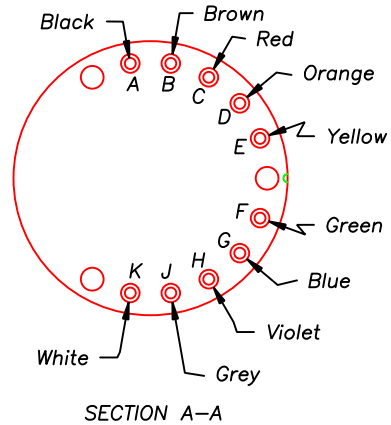


C33710BB

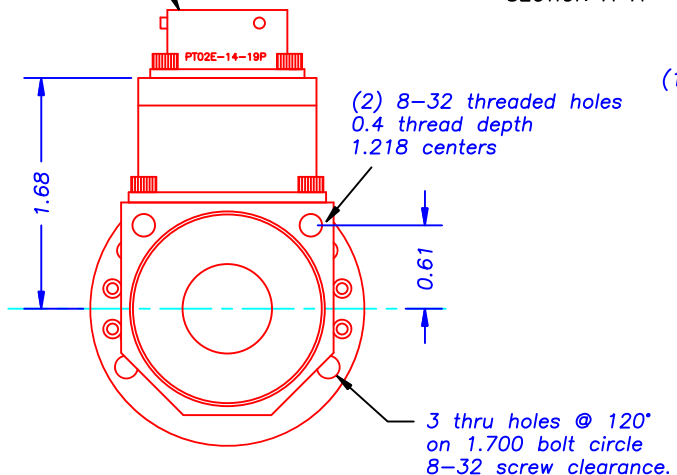
For connector and sealing backshell information see page 4 - 8 of the price list.

DATE	BY	REVISION	LOC.

19 contact stator connector Bendix PT02E-14-19P		
Contact	Function	
A - K	10 slip rings	
	<u>If Encoder</u>	<u>If Resolver</u>
P	+5 TO +20 VDC	Oscillator High
R	Ground	Oscillator Low
S	A	Cosine High
T	B	Cosine Low
U	I	Sine High
V	A ⊕ B	Sine Low

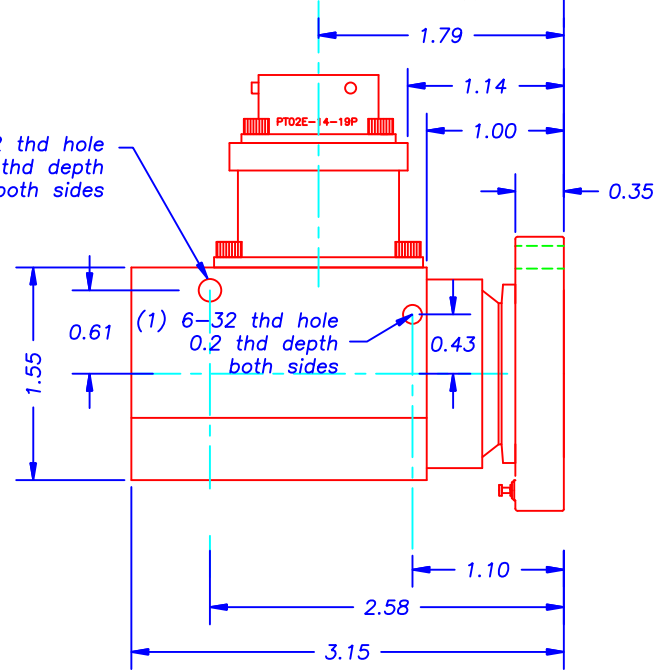


In outdoor applications the terminals need to be sealed from water exposure with a coating of Dow Corning 3145 RTV silicone rubber sealant.

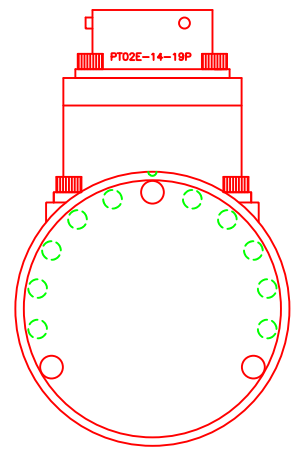


(1) 8-32 thd hole
0.2 thd depth
both sides

(2) 8-32 threaded holes
0.4 thread depth
1.218 centers



(1) 6-32 thd hole
0.2 thd depth
both sides



Type M rotor
1.9990 ±.0005 dia.

The encoders will operate from +5 to +20 Vdc. Current draw is 50 to 90 mA. Temperature range is -40C to +100C.

The resolvers require a 10 KHz, 16 V peak to peak sine wave oscillator. The Michigan Scientific model RESSC-2-12V resolver electronics includes this oscillator. Temperature range of resolver units is -40C to +120C (-40F to +250F).

SR/ERT series

Model SR10M_/E___/X Weight 12oz (13oz with mating connector).

Model SR10M_/R360/X Weight 13oz (14oz with mating connector).

10 SLIP RINGS & AN ENCODER (E___) OR A RESOLVER (R360) IN A WEATHERPROOF HOUSING.

MICHIGAN SCIENTIFIC CORPORATION
 08500 ANCE ROAD
 CHARLEVOIX, MI 49720
 PHONE: (231)547-5511 FAX: (231)547-7070

TOLERANCES .xxxx ±.0005 .xxx ±.005 .xx ±.01 ANGLES ±°-'-" SURFACE FINISH ---RMS	DESIGNED BY: KDL DRAWN BY: KDL CHECKED BY:	DATE: 2-3-00 TITLE: OUTLINE DRAWING SHT OF SHTS: SIZE BH	SCALE: 1:1
DRAWING NO.: C33710BB	MATERIAL: 10 RINGS & ENCODER OR RESOLVER.		