

C337025B

For connector and sealing backshell information see page 4 - 8 of the price list.

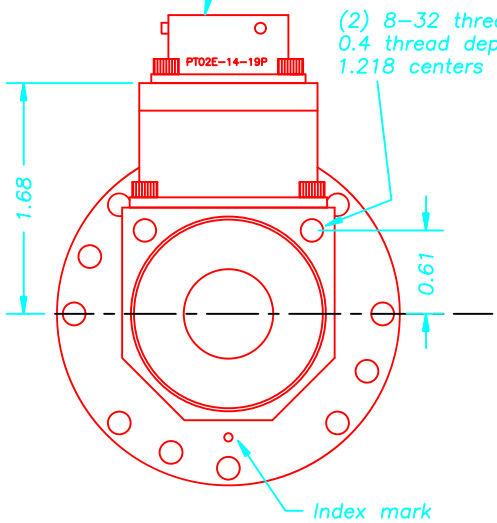
DATE	BY	REVISION	LOC.
2-00	KDL	Added information.	

19 contact stator connector
Bendix PT02E-14-19P

Contact Function

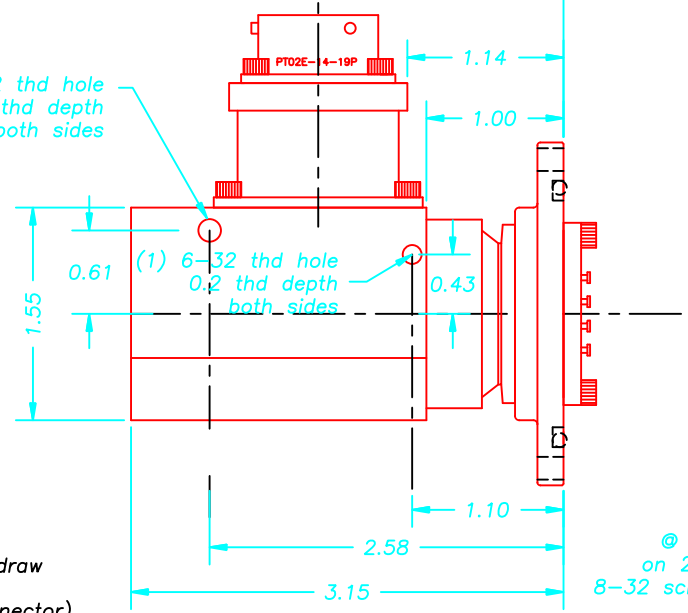
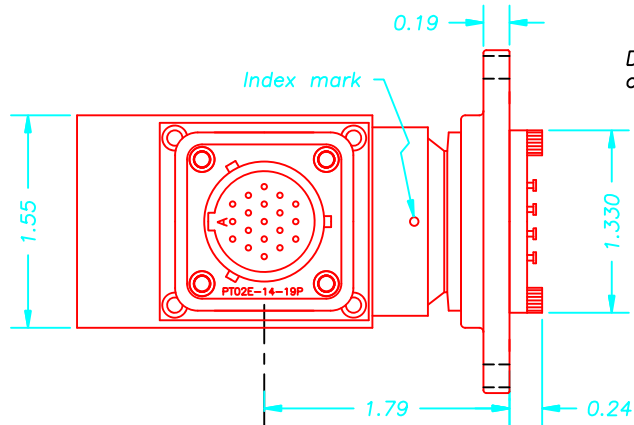
A - K 10 slip rings

	If Encoder	If Resolver
P	+5 TO +20 VDC	Oscillator High
R	Ground	Oscillator Low
S	A	Cosine High
T	B	Cosine Low
U	I	Sine High
V	A ⊕ B	Sine Low



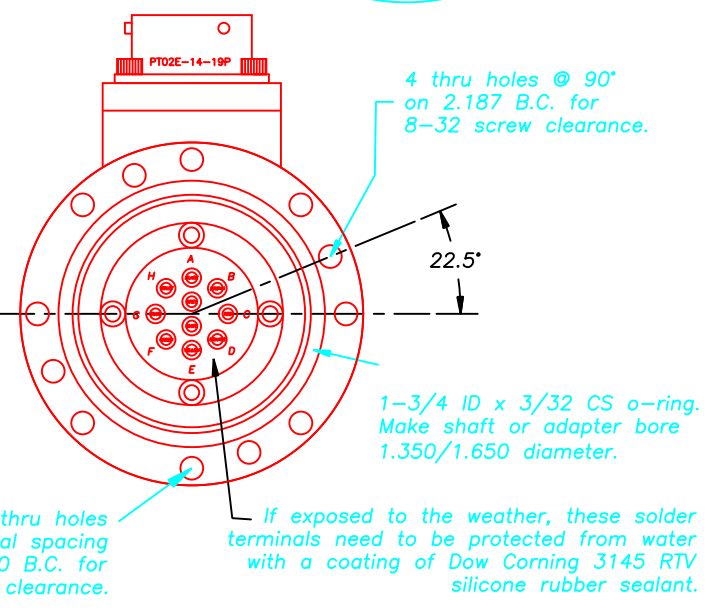
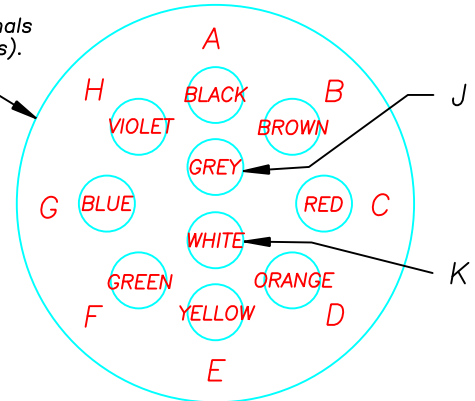
(2) 8-32 threaded holes
0.4 thread depth
1.218 centers

(1) 8-32 thd hole
0.2 thd depth
both sides



(1) 6-32 thd hole
0.2 thd depth
both sides

Detail of solder terminals on rotor (10 slip rings).



Type A rotor
2.499 ±.001 dia.

The encoders will operate from +5 to +20 Vdc. Current draw is 50 to 90 mA. Temperature range is -40C to +100C. Units with encoders weigh 14 oz (15 oz with mating connector).

The resolvers require a 10 KHz, 16 V peak to peak sine wave oscillator. The Michigan Scientific model RESSC-2-12V resolver electronics includes this oscillator. Temperature range of resolver units is -40C to +120C (-40F to +250F). Units with resolvers weigh 15 oz (16 oz with mating connector).

SR/ERT series
Model SR10A_/E___/TX
Model SR10A_/R360/TX

10 SLIP RINGS & AN OPTICAL ENCODER (E___) OR RESOLVER (R360) IN A WEATHERPROOF HOUSING.

MICHIGAN SCIENTIFIC CORPORATION
08500 ANCE ROAD
CHARLEVOIX, MI 49720
PHONE: (231)547-5511 FAX: (231)547-7070

TOLERANCES .xxxx ±.0005 .xxx ±.005 .xx ±.01 ANGLES ±°-'-" SURFACE FINISH ---RMS	DESIGNED BY: KDL DRAWN BY: KDL CHECKED BY:	DATE: 10-13-98 TITLE: OUTLINE DRAWING SHT OF SHTS: SIZE BH	SCALE: 1:1
DRAWING NO.: C337025B	MATERIAL: 10 RINGS & ENCODER OR RESOLVER.		