

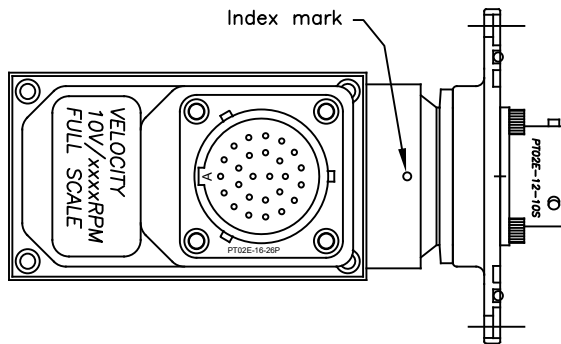
C33711TB

THE VELOCITY OUT (PIN V) HAS 2 SPEED RANGES AVAILABLE. USE PIN R TO ACCESS THE 2ND RANGE.
 THE VELOCITY OUTPUT IS 1000 RPM = 10V WHEN PIN R IS LEFT OPEN.
 THE VELOCITY OUTPUT IS 1800 RPM = 10V WHEN PIN R IS GROUNDED.

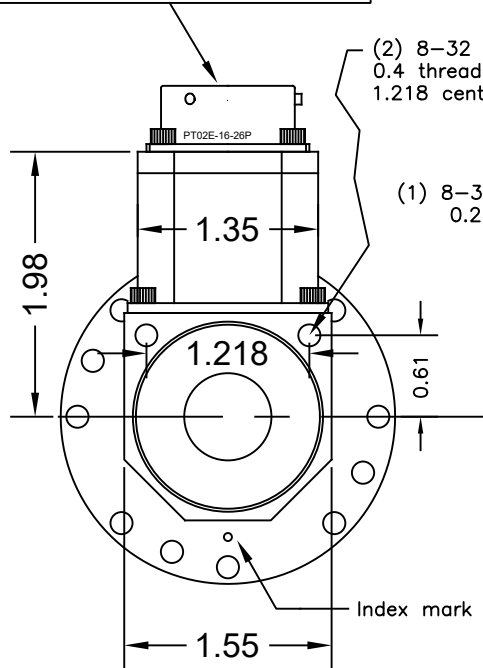
PIN S CONTROLS THE POLARITY OF THE VELOCITY OUTPUT (POSITIVE FOR CW ROTATION WHEN LEFT OPEN, CCW WHEN GROUNDED)

WHEN CHANGING VELOCITY RANGE OR DIRECTION, FOR THE CHANGE TO TAKE EFFECT, TURN THE POWER OFF,
 WAIT 1 MINUTE (OR DISCONNECT) AND THEN TURN THE POWER BACK ON..

Contact	Function
A - K	10 slip rings
<u>Encoder + electronics</u>	
L,M,N,P	Encoder digital ground
R	Option pin 1
S	Option pin 2
T,U	Velocity/Position ground
V	Velocity output
W	Position output
X	+8 to +18VDC input
Y	Power ground
Z	Output A
a	Output B
b	Output I
c	Output A ⊕ B

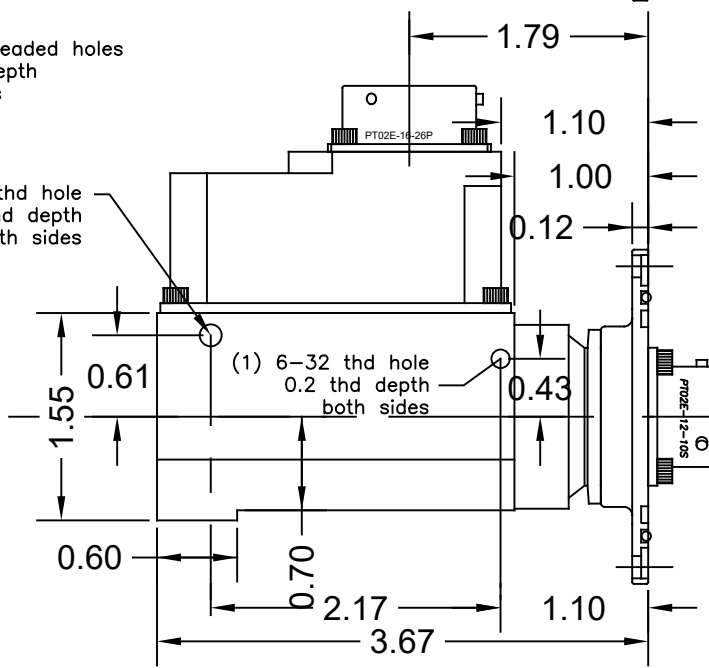


Contact	Function
A - K	10 slip rings

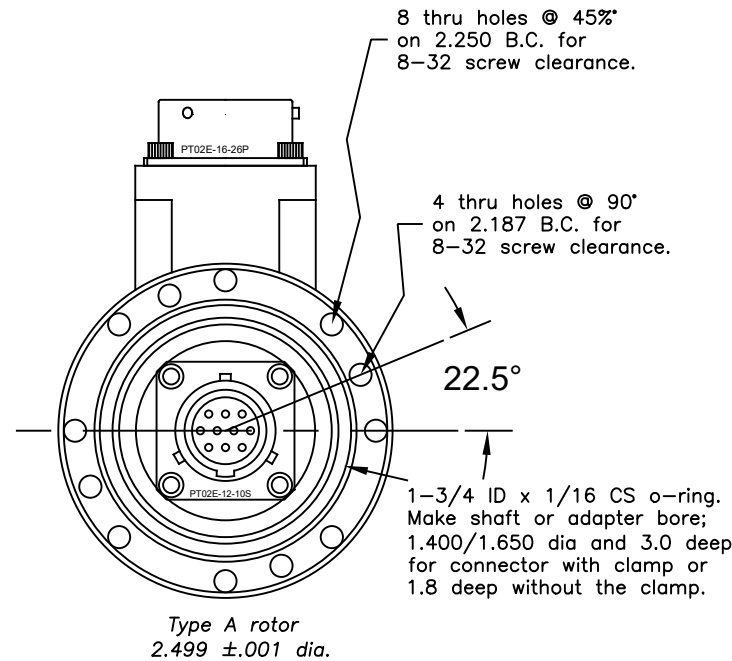


(2) 8-32 threaded holes
 0.4 thread depth
 1.218 centers

(1) 8-32 thd hole
 0.2 thd depth
 both sides



(1) 6-32 thd hole
 0.2 thd depth
 both sides



8 thru holes @ 45°
 on 2.250 B.C. for
 8-32 screw clearance.

4 thru holes @ 90°
 on 2.187 B.C. for
 8-32 screw clearance.

1-3/4 ID x 1/16 CS o-ring.
 Make shaft or adapter bore;
 1.400/1.650 dia and 3.0 deep
 for connector with clamp or
 1.8 deep without the clamp.

Type A rotor
 2.499 ±0.001 dia.

SR/ERT series

Model SR10A_/T___/AX

10 SLIP RINGS & AN ENCODER WITH BUILT IN ENCODER ELECTRONICS
 IN A WEATHERPROOF HOUSING.

Weight 15 oz (19 oz with mating connectors).
 The encoder & its' electronics requires a
 +8 to +18Vdc, 200mA power supply.
 Temperature range of the electronics is -40C to +85C.

MICHIGAN SCIENTIFIC CORPORATION
 08500 ANCE ROAD
 CHARLEVOIX, MI 49720
 PHONE: (231)547-5511 FAX: (231)547-7070

TOLERANCES .xxxx ±.0005 .xxx ±.005 .xx ±.01 .x ±.02 SURFACE FINISH ---RMS	DESIGNED BY: KDL	DATE: 12-11-98	SCALE: 1:1
	DRAWN BY: KDL	TITLE: OUTLINE DRAWING	
	CHECKED BY:	SHT OF SHTS: SIZE BH	
	DRAWING NO.: C33711TB	MATERIAL: 10 SLIP RINGS & ENCODER & ENCODER ELECTRONICS	