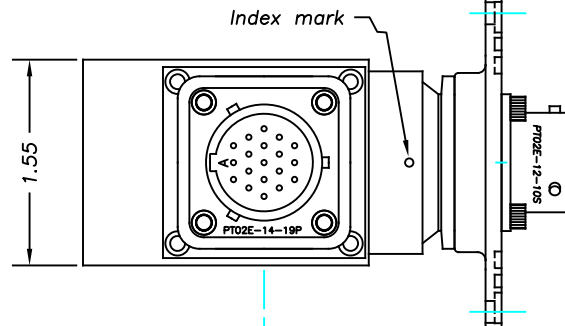


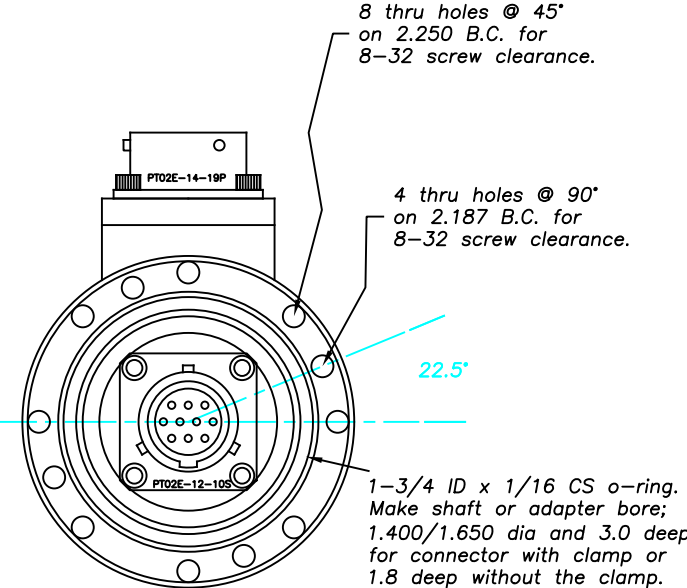
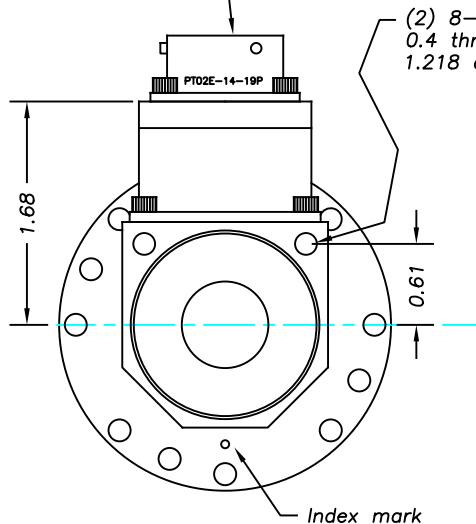
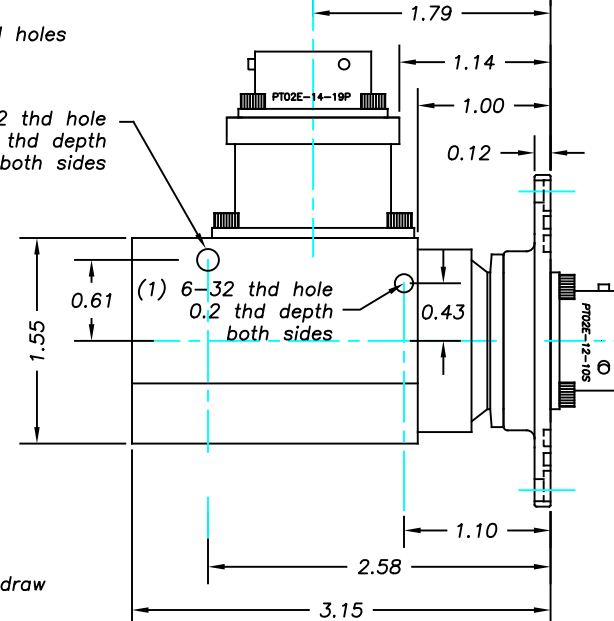
C33710CB

For connector and sealing backshell information see page 4 - 8 of the price list.

19 contact stator connector Bendix PT02E-14-19P		
Contact	Function	
A - K	10 slip rings	
	<i>If Encoder</i>	<i>If Resolver</i>
P	+5 TO +20 VDC	Oscillator High
R	Ground	Oscillator Low
S	A	Cosine High
T	B	Cosine Low
U	I	Sine High
V	A ⊕ B	Sine Low



10 contact rotor connector Bendix PT02E-12-10S		
Contact	Function	
A - K	10 slip rings	



Type A rotor
2.499 ±.001 dia.

The encoders will operate from +5 to +20 Vdc. Current draw is 50 to 90 mA. Temperature range is -40C to +100C.

The resolvers require a 10 KHz, 16 V peak to peak sine wave oscillator. The Michigan Scientific model RESSC-2-12V resolver electronics includes this oscillator. Temperature range of resolver units is -40C to +120C (-40F to +250F).

SR/ERT series

Model SR10A_/E___/AX Weight 14oz (16oz with mating connectors).

Model SR10A_/R360/AX Weight 15oz (17oz with mating connectors).

10 SLIP RINGS & AN ENCODER (E___) OR A RESOLVER (R360) IN A WEATHERPROOF HOUSING.

MICHIGAN SCIENTIFIC CORPORATION
 08500 ANCE ROAD
 CHARLEVOIX, MI 49720
 PHONE: (231)547-5511 FAX: (231)547-7070

TOLERANCES .xxxx ±.0005 .xxx ±.005 .xx ±.01 ANGLES ±'---'	DESIGNED BY: KDL	DATE: 2-4-00	SCALE: 1:1
SURFACE FINISH ---RMS	DRAWN BY: KDL	TITLE: OUTLINE DRAWING	SHT OF SHTS: SIZE BH
DRAWING NO.: C33710CB	CHECKED BY:	MATERIAL: 10 RINGS & ENCODER OR RESOLVER.	