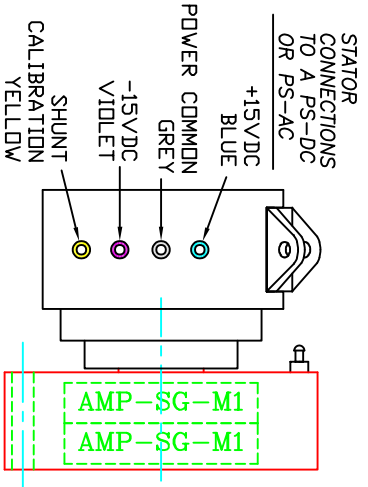
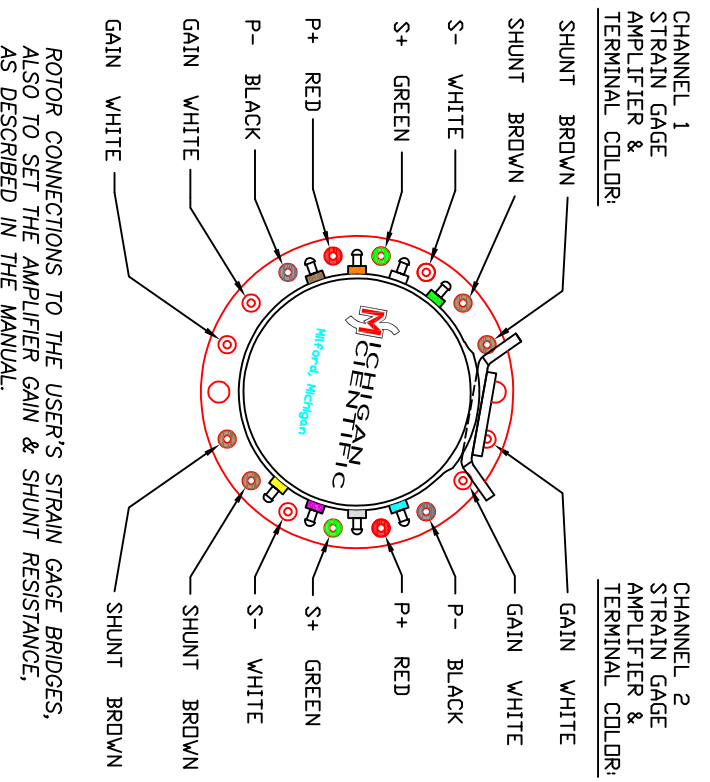
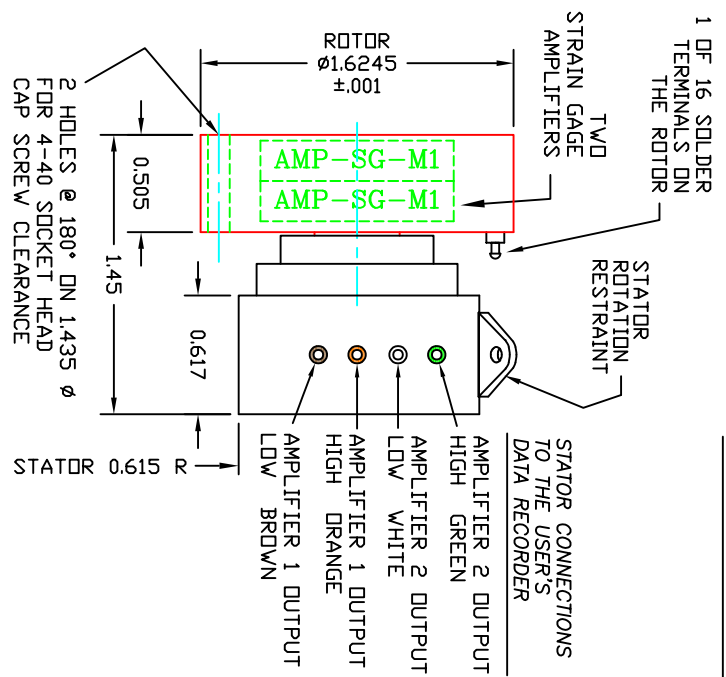


A548C123

SLIP RING & 2 STRAIN GAGE AMPLIFIERS
 MODEL: SHORT S8/T/2G"x"

To specify bridge excitation voltage, replace "x" with 5 or 10.

AMPLIFIER FUNCTION & SOLDER TERMINAL COLORS



DATE BY REVISION

DESIGN MAY CHANGE WITHOUT NOTICE

MICHIGANIC CORPORATION
 08500 ANCE ROAD
 CHARLEVOIX, MI 49720
 PHONE: (231)547-5511 FAX: (231)547-7070

TOLERANCES	DESIGNED BY: KDL	DATE: 11-22-22	SCALE: 1:1
.xxx ±----	DRAWN BY: KDL	TITLE: SHORT S8/T/2GX	
.xx ±---	CHECKED BY:	SHT OF SHTS: 1	SIZE: AH
ANGLES ±-.-	FINISH: ---RMS		
DRAWING NO.: C213845A	MATERIAL: METAL HOUSING		

ALL DIMENSIONS IN INCHES