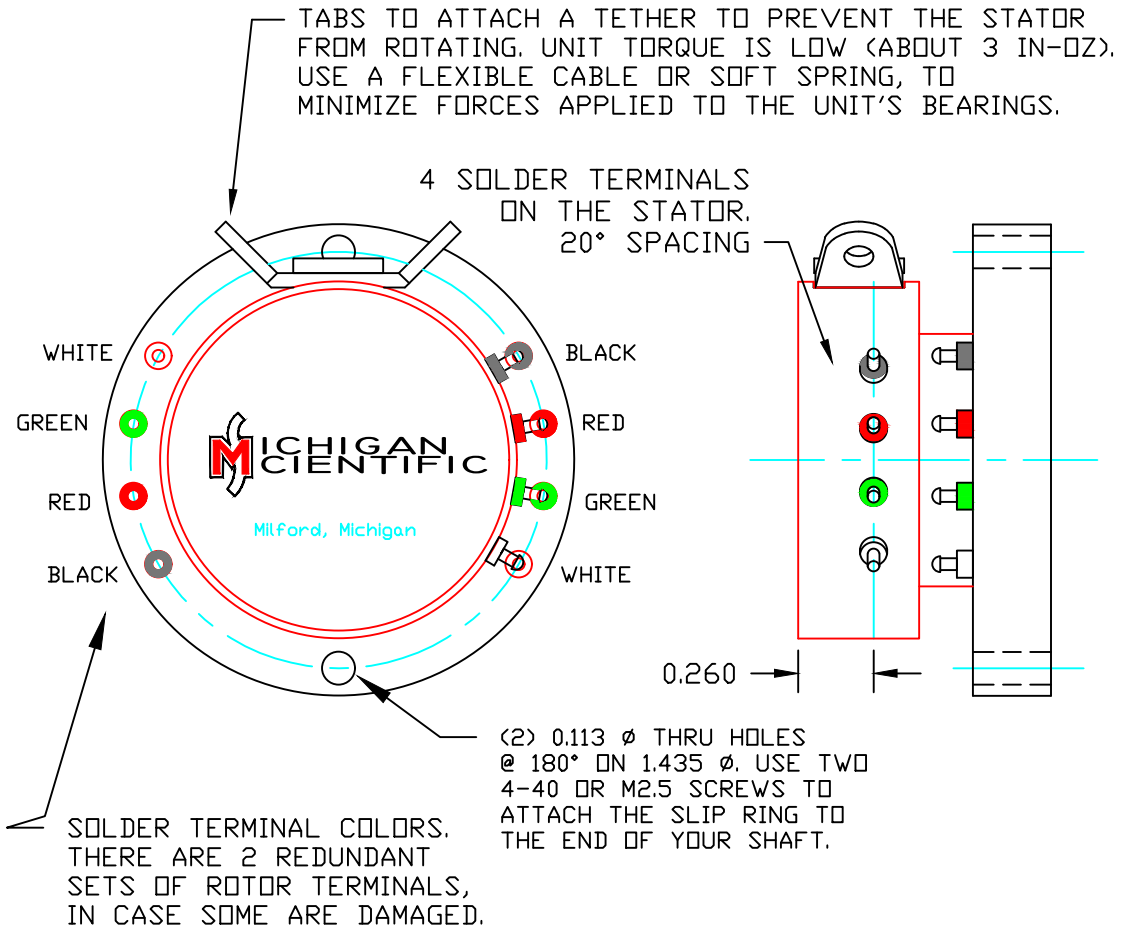
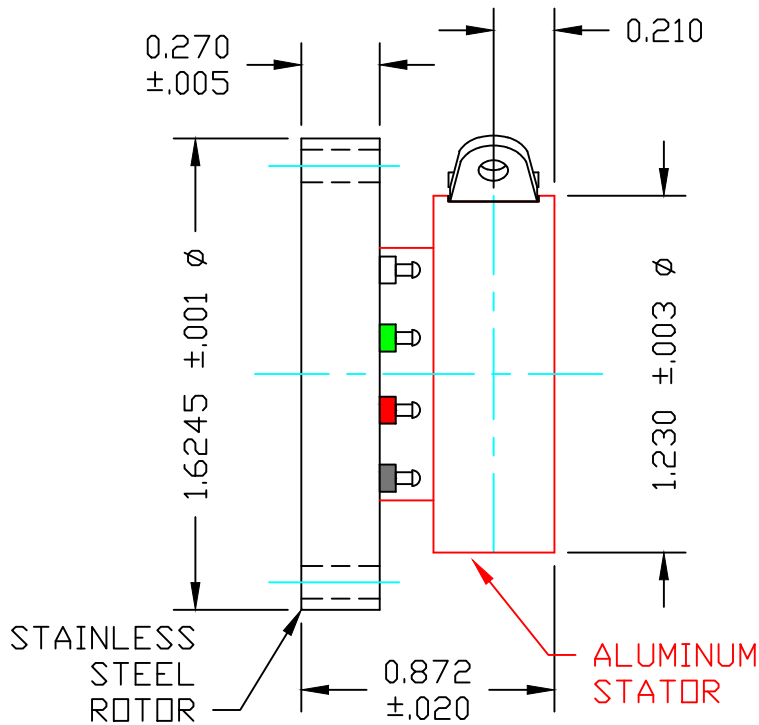


C213427A

DATE	BY	REVISION	LDC.
4-13-08	KDL	.025 LONGER REVISIONS	
7-14-15	KDL	1.6245±.001 ROTOR	
3-25-19	KDL	0.260 stator terminal location	



SHORT S SERIES  
MODEL SHORT S4/T  
4 SLIP RING CONNECTIONS

WEIGHT 53 GRAMS (1.9 OZ)

ALL DIMENSIONS IN INCHES  
DESIGN MAY CHANGE WITHOUT NOTICE

© 2020

**MICHIGAN SCIENTIFIC** CORPORATION

08500 ANCE ROAD  
CHARLEVOIX, MI 49720  
PHONE: (231)547-5511 FAX: (231)547-7070

TOLERANCES .xxxx ±--- .xxx ±--- .xx ±-- ANGLES ±'----	DESIGNED BY: KDL	DATE: 10-24-00	SCALE: 1:1
SURFACE FINISH ---RMS	DRAWN BY: KDL	TITLE: SHORT S4/T	SHT OF SHTS: AH
DRAWING NO.: C213427A	MATERIAL: METAL HOUSING		