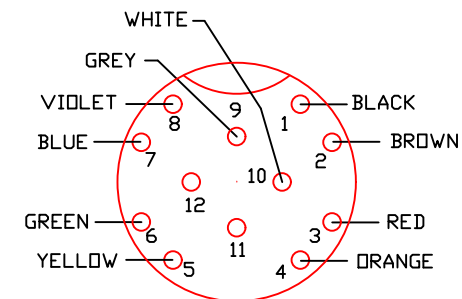
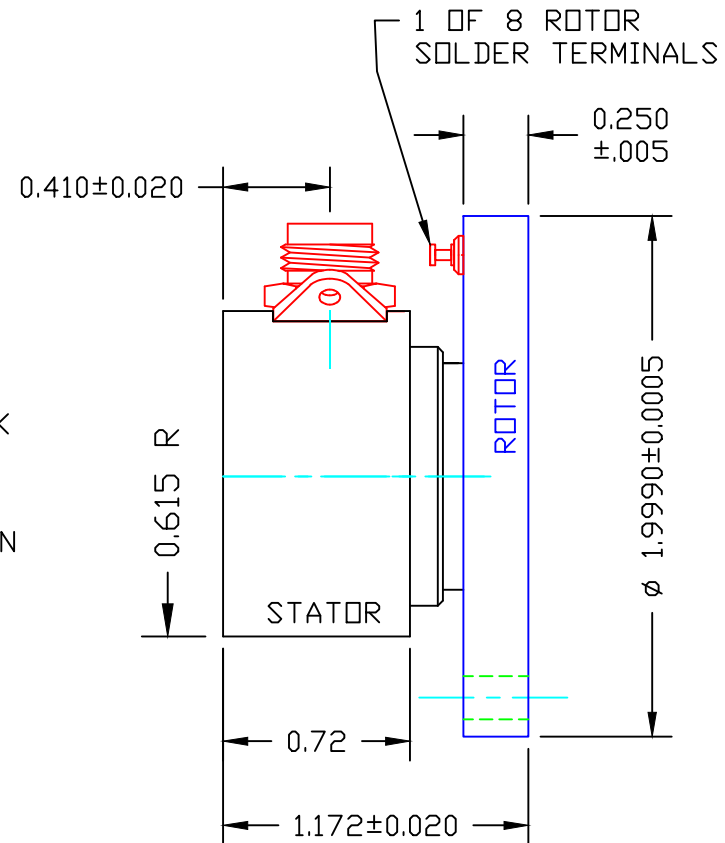
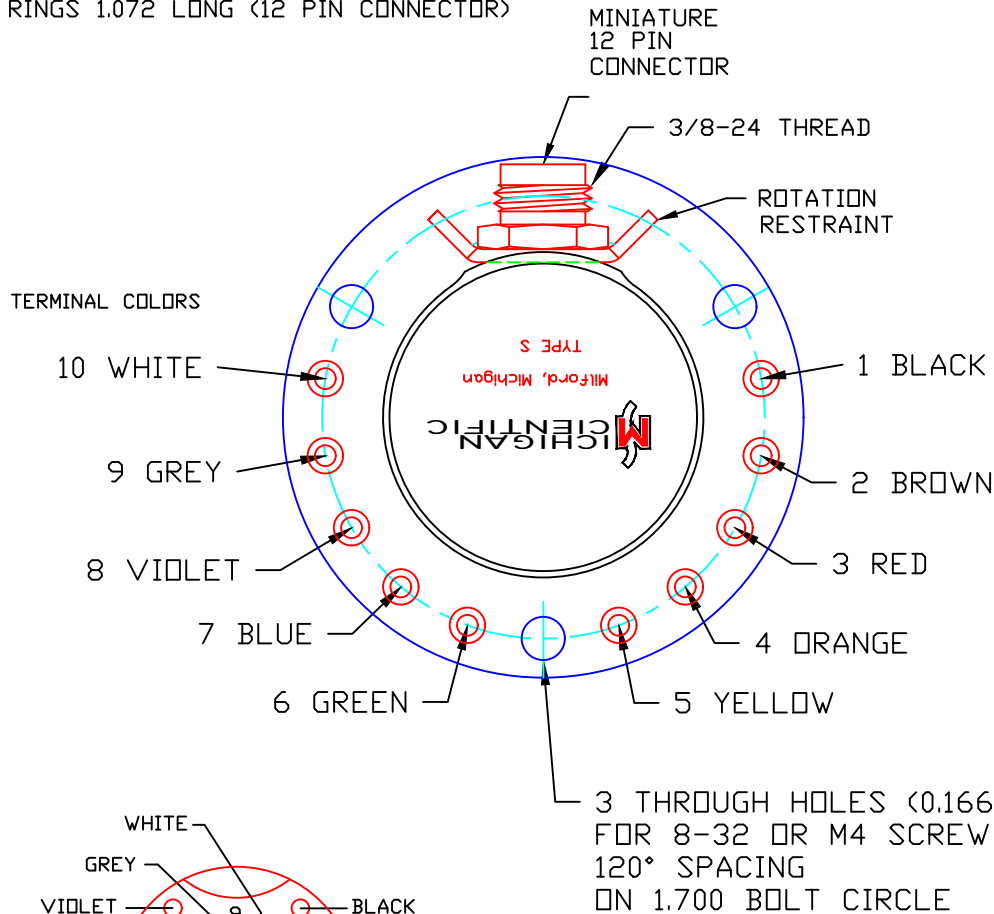


213029A

2-3-14 KDL 'stator', not 'rotor' xctr

MODEL SHORT S10M/X SLIP RING ASSEMBLY

THIS UNIT HAS 10 SLIP RING CONNECTIONS. 4 & 8 RING UNITS ARE ALSO AVAILABLE.
 THE OTHER LENGTHS ARE:
 4 RINGS 0.872 LONG (4 PIN CONNECTOR)
 8 RINGS 1.072 LONG (12 PIN CONNECTOR)



FRONT VIEW OF STATOR CONNECTOR ON SLIP RING.
 COLORS OF STATOR CABLE WIRES & ROTOR SOLDER TERMINALS.

ALL DIMENSIONS IN INCHES
 DESIGN MAY CHANGE WITHOUT NOTICE

MICHIGAN SCIENTIFIC CORPORATION 08500 ANCE ROAD CHARLEVOIX, MI 49720 PHONE: (231)547-5511 FAX: (231)547-7070				© 2020
TOLERANCES .xxxx \pm --- .xxx \pm --- .xx \pm --- ANGLES \pm -'---	DESIGNED BY: KDL DRAWN BY: KDL CHECKED BY: KDL MATERIAL:	DATE: 8-7-13 TITLE: SHORT S10M/X SHT OF SHTS:	SCALE: 1:1 SIZE AH	
DRAWING NO.: C213029A				