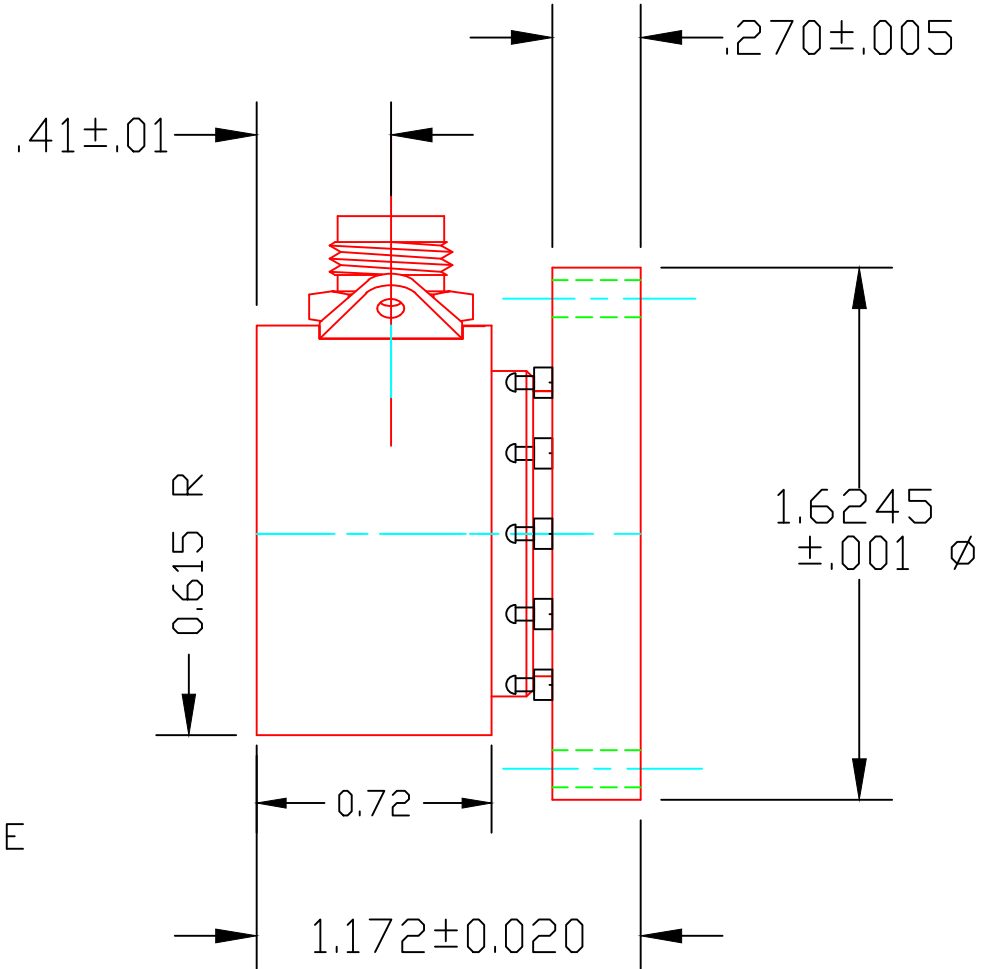
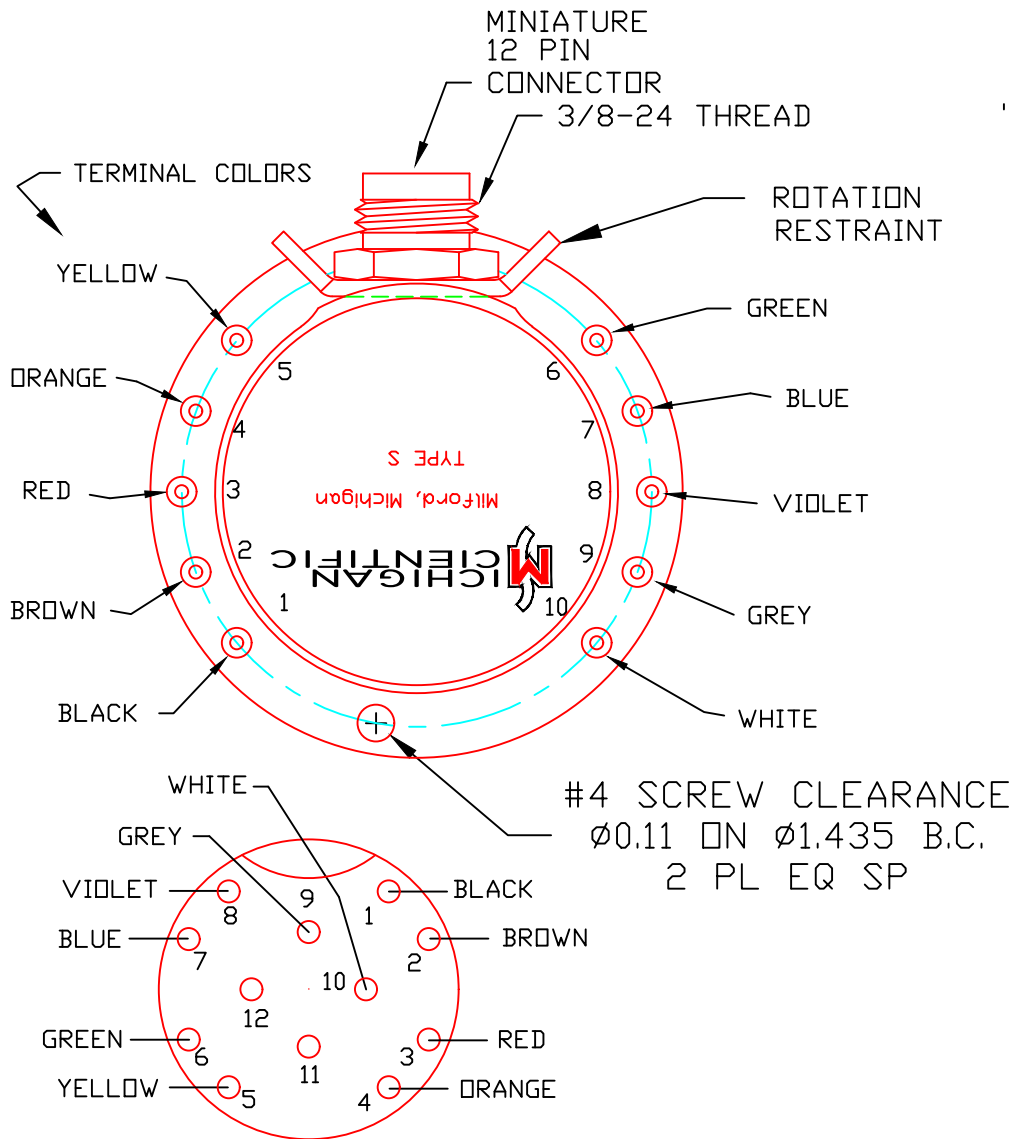


C213027A

1-30-09 KDL snap upgrades .025 longer
 02/16/09, JCS, Added Dims
 2-3-14 KDL "stator", not "mating" xctr
 7-14-15 KDL 1.6245±.001 ROTOR

MODEL SHORT S10/X SLIP RING ASSEMBLY



FRONT VIEW OF STATOR CONNECTOR ON SLIP RING.
 COLORS OF STATOR CABLE WIRES & ROTOR SOLDER TERMINALS.

ALL DIMENSIONS IN INCHES
 DESIGN MAY CHANGE WITHOUT NOTICE

MICHIGAN SCIENTIFIC CORPORATION 08500 ANCE ROAD CHARLEVOIX, MI 49720 PHONE: (231)547-5511 FAX: (231)547-7070 COPYRIGHT © 2020			
TOLERANCES .xxxx ±--- .xxx ±--- .xx ±.01 ANGLES ±'---- SURFACE FINISH ---RMS	DESIGNED BY: KDL	DATE: 6-28-00	SCALE: 1:1
DRAWN BY: DKK/KDL	TITLE: SHORT S10/X		SHT OF SHTS: SIZE AH
CHECKED BY: KDL	MATERIAL:		
DRAWING NO.: C213027A			

W:\SLIPRINGS\SERIES\Short\S10\C213027A.dwg, 2/6/2021 11:57:31 AM