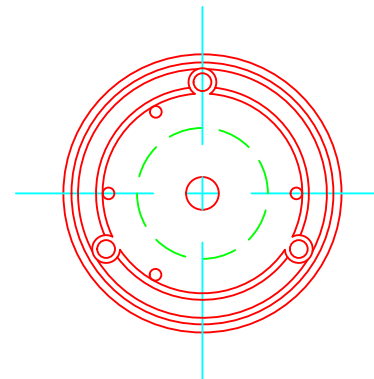
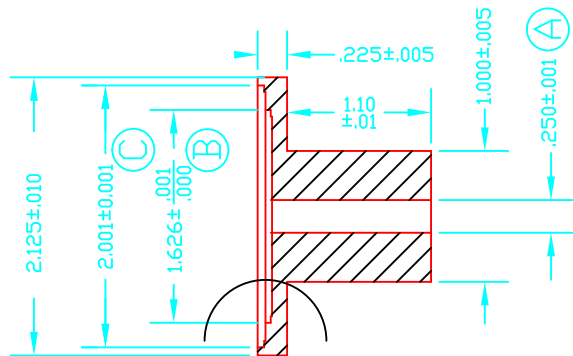
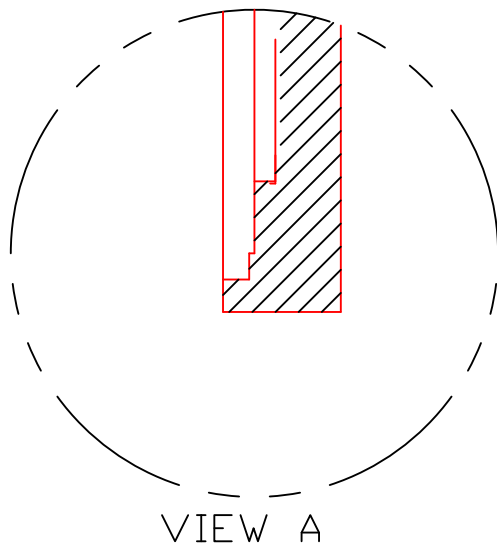


C172005B

DATE	BY	REVISION	LDC.



SEE VIEW A



NOTES:

1. A - B - C TO BE CONCENTRIC WITHIN .001
2. BREAK ALL SHARP EDGES

<p>MICHIGAN SCIENTIFIC CORPORATION 08500 ANCE ROAD CHARLEVOIX, MI 49720 PHONE: (616)547-5511 FAX: (616)547-7070</p>			
.xxxx ±----	MBC	8-20-97	1:1
.xxx ±---	DRAWN BY:	TITLE:	
.xx ±--	GRM	MOUNTING ADAPTER	
ANGLES ±--'	CHECKED BY:	SHT OF SHTS:	SIZE
SURFACE FINISH ---RMS			BH
DRAWING NO.:	MATERIAL:		
C172005B	303 STAINLESS		