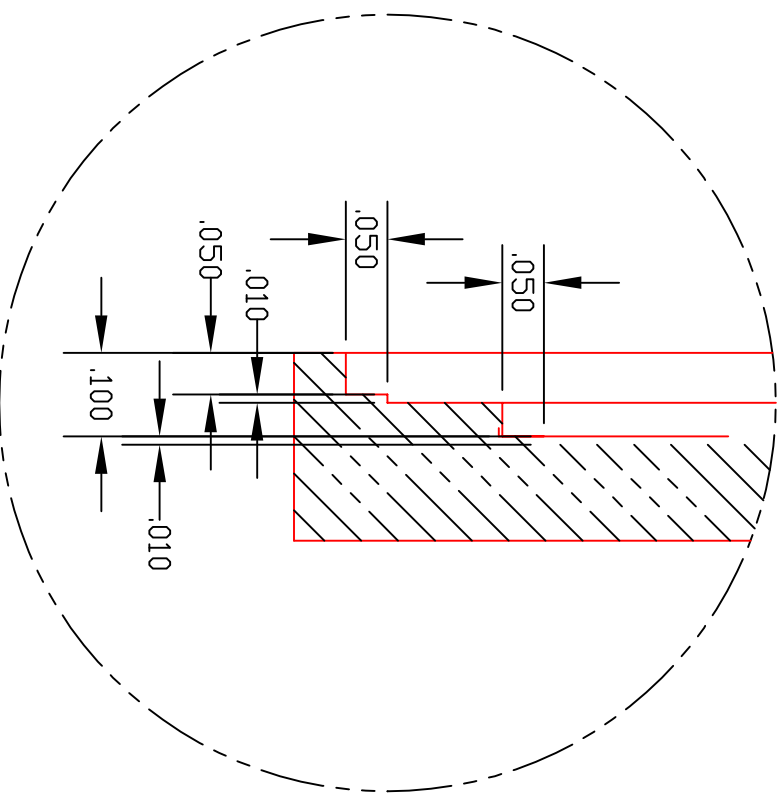
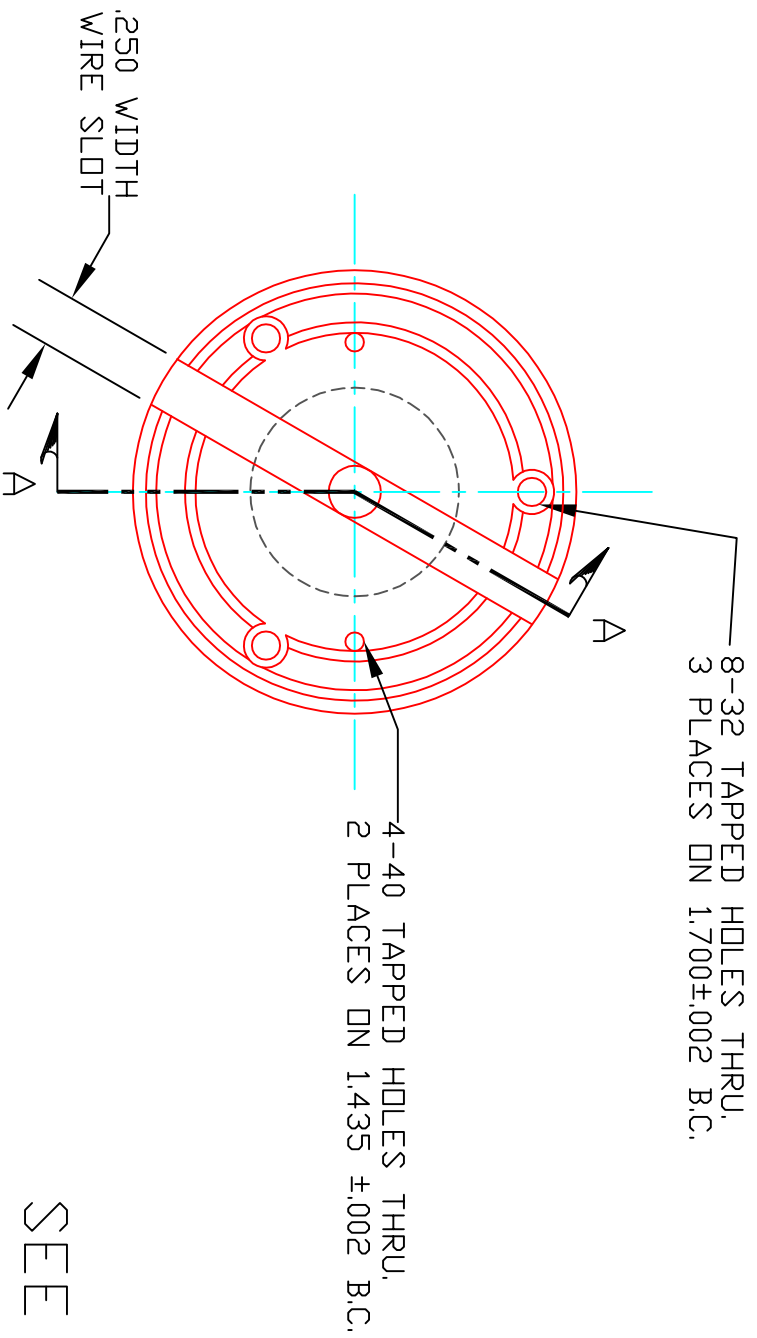
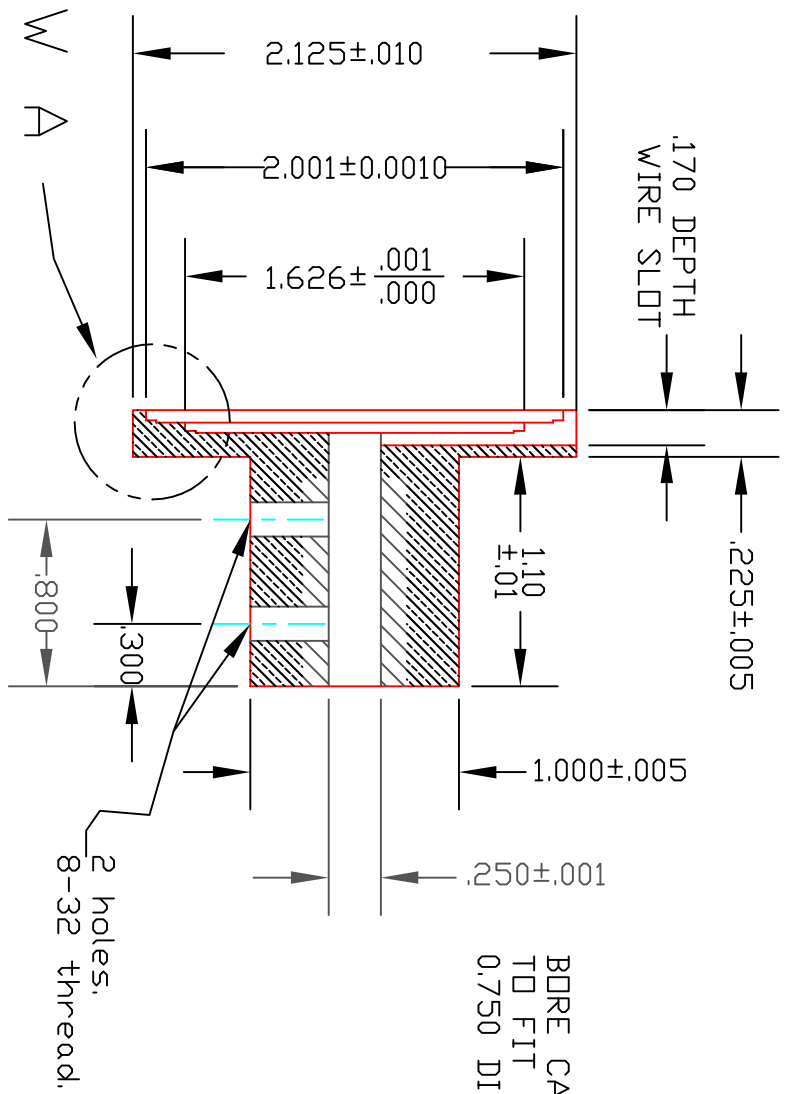


B9002L1C



VIEW A  
SCALE 4:1



BORE CAN BE INCREASED TO FIT SHAFTS UP TO 0.750 DIAMETER.

SECTION A-A

DIMENSIONS IN INCHES

<p><b>MICHIGAN SCIENTIFIC CORPORATION</b></p> <p>08500 ANCE ROAD CHARLEVOIX, MI 49720 PHONE: (231)547-5511 FAX: (231)547-7070</p>		<p>DESIGNED BY: MBC</p> <p>DATE: 8-20-97</p> <p>SCALE: 1:1</p>
<p>TOLERANCES</p> <p>.xxxx ±----</p> <p>.xxx ±----</p> <p>.xx ±----</p> <p>ANGLES ±-°-'</p> <p>SURFACE FINISH ---RMS</p>	<p>DRAWN BY: GRM</p> <p>CHECKED BY:</p> <p>TITLE: MOUNTING ADAPTER</p> <p>SHT OF SHTS: SIZE</p>	<p>MATERIAL: 303 STAINLESS</p>
<p>DRAWING NO.: C172006B</p>		<p>303 STAINLESS</p>