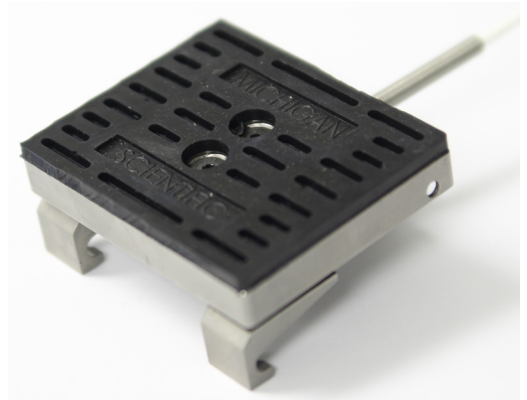


Low Profile Brake Pedal Force Transducer

Model BPFT3

- 500 lbf (2.2 kN) capacity
- High accuracy for on and off center loading
- Fits smaller brake pedals, for example vehicles with manual transmissions
- Rugged construction
- Can be used to quickly verify brake loads when paired with Michigan Scientific's *Transducer Display Module (TDM)*



Description

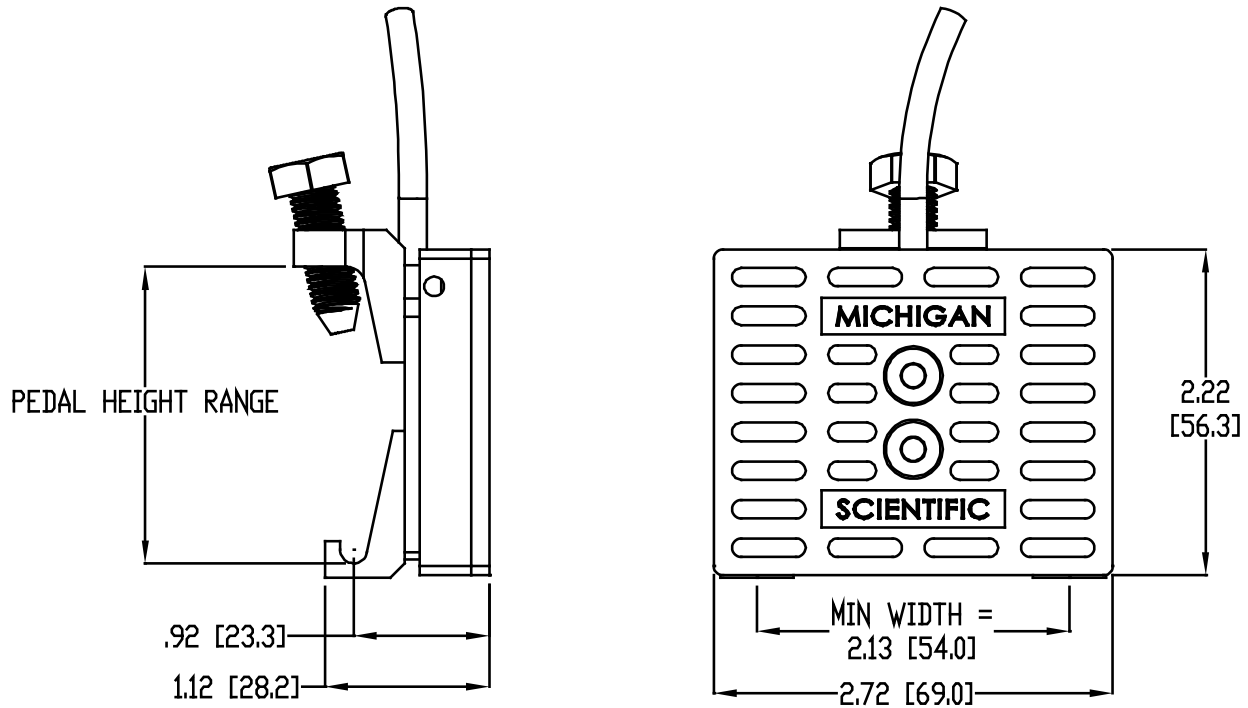
The Michigan Scientific *Low Profile Brake Pedal Force Transducer 3 (BPFT3)* is a precision strain gauge based transducer. It attaches directly onto a vehicle's brake pedal quickly and securely by removing the rubber pad from the vehicle's brake pedal and tightening the single retaining bolt to the padless pedal. Designed to accommodate the brake pedal size of most manual transmission equipped vehicles, the low profile and size closely duplicates the shape and feel of a production brake pedal, while adding minimal height and weight. It features high accuracy for both on-center and off-center loading.

Specifications

Maximum Load Capacity	500 lbf (2.2 kN)
Full Scale Load	500 lbf (2.2 kN)
Full Scale Output	1.5 mV/V, nominal
Sensor	1 Four-arm strain gauge bridges
Nonlinearity	0.5 % of full scale output
Hysteresis	0.1 % of full scale output
Bridge Resistance	350 Ω
Temperature Effect on Zero	0.008 % reading/ $^{\circ}$ F (0.0015 % reading/ $^{\circ}$ C)
Temperature Range, Useable	-40 $^{\circ}$ F to 300 $^{\circ}$ F (-40 $^{\circ}$ C to 149 $^{\circ}$ C)
Excitation Voltage, Maximum	10 Vdc or Vac rms
Insulation Resistance, Bridge/Case	Exceeds 5000 M Ω
Standard Cable Length	10 ft (3.05 m)
Weight	10.8 oz (300 g)

Low Profile Brake Pedal Force Transducer

BPFT3 Configuration



CLAMP SET	MAX PEDAL HEIGHT*	MIN PEDAL HEIGHT*
STANDARD**	2.0 [50.8]	1.5 [38.1]
EXTENDED	3.0 [76.2]	2.0 [50.8]

*BPFT3 is mounted onto pedal frame with rubber pad removed.
Clamping range is of the height of this frame only.
**Units are shipped with standard clamp set unless requested otherwise.
Clamp sets can be easily changed by the customer.
Dimensions are in inches [mm].

M466010B
BPFT3
02/17/2013

Contact factory for more options on clamping width range.