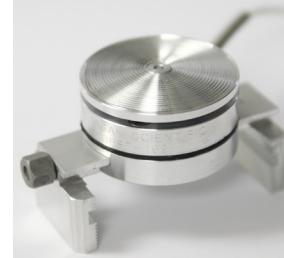


Brake Pedal Force Transducer

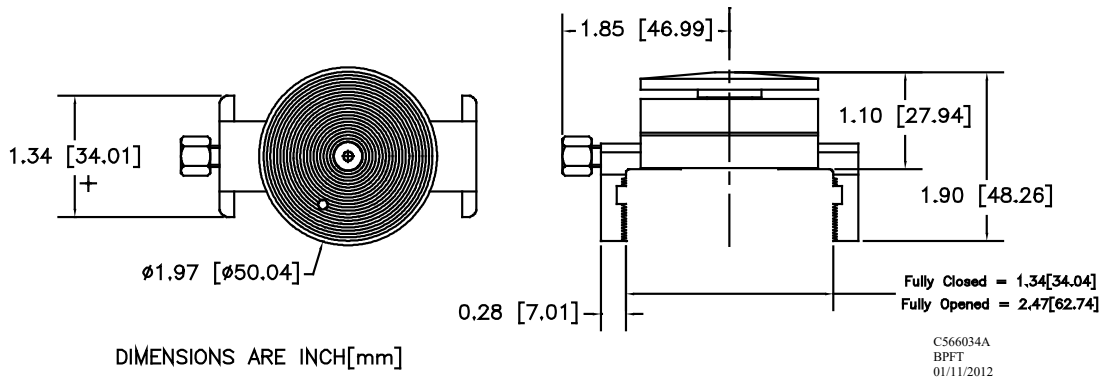
Model BPFT

- 500 lbf capacity
- High accuracy for on and off center loading
- Fits standard brake pedals
- Fits parking brake pedals
- Rugged aluminum construction



Description

The Michigan Scientific Brake Pedal Force Transducer (BPFT) is a precision strain gage load cell. This transducer was designed to accommodate the brake pedals of most cars, as well as parking brake pedals. It features high accuracy for both on-center and off-center loading.



Specifications

Maximum Load Capacity	500 lbf (2.2 kN)
Full Scale Load	500 lbf (2.2 kN)
Weight	4.2 oz (119 g)
Fatigue Rating for Single Axis (full load)	>10 ⁶ cycles
Full Scale Output	2.25 mV/V, nominal
Sensor	1 Four-arm strain gage bridges
Nonlinearity	0.1 % of full scale
Hysteresis	0.5 % of full scale output
Bridge Resistance	240 Ω nominal
Temperature Range, Compensated	75 °F to 200 °F (24 °C to 93 °C)
Temperature Effect on Zero	0.008 % reading/°F (0.0015 % reading/°C)
Temperature Range, Useable	-40 °F to 300 °F (-40 °C to 149 °C)
Excitation Voltage, Maximum	10Vdc or Vac rms
Insulation Resistance, Bridge/Case	Exceeds 5,000 MΩ
Standard Cable Length	10 ft (3.05 m)
* Contact Factory for other compensated ranges	Contact factory for options on clamping width range

8500 Ance Road
Charlevoix, MI 49720
Tel: 231-547-5511
Fax: 231-547-7070
03-9-22
Rev. A

MICHIGAN SCIENTIFIC
corporation

<http://www.michsci.com>
Email: mscinfo@michsci.com

321 East Huron Street
Milford, MI 48381
Tel: 248-685-3939
Fax: 248-685-5406

Brake Pedal Force Transducer

This page is intentionally blank.

8500 Ance Road
Charlevoix, MI 49720
Tel: 231-547-5511
Fax: 231-547-7070
03-9-22
Rev. A

MICHIGAN SCIENTIFIC
<http://www.michsci.com>
Email: mscinfo@michsci.com
corporation

321 East Huron Street
Milford, MI 48381
Tel: 248-685-3939
Fax: 248-685-5406