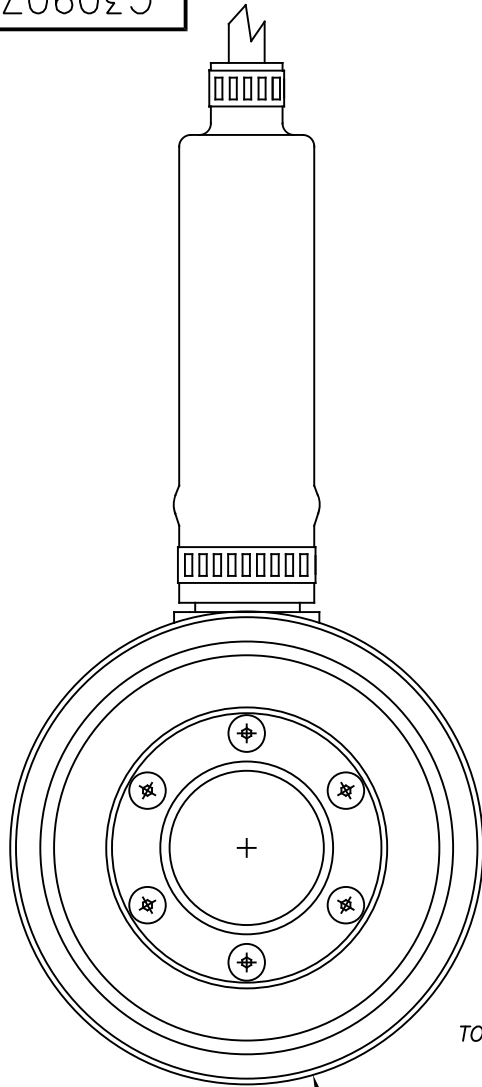


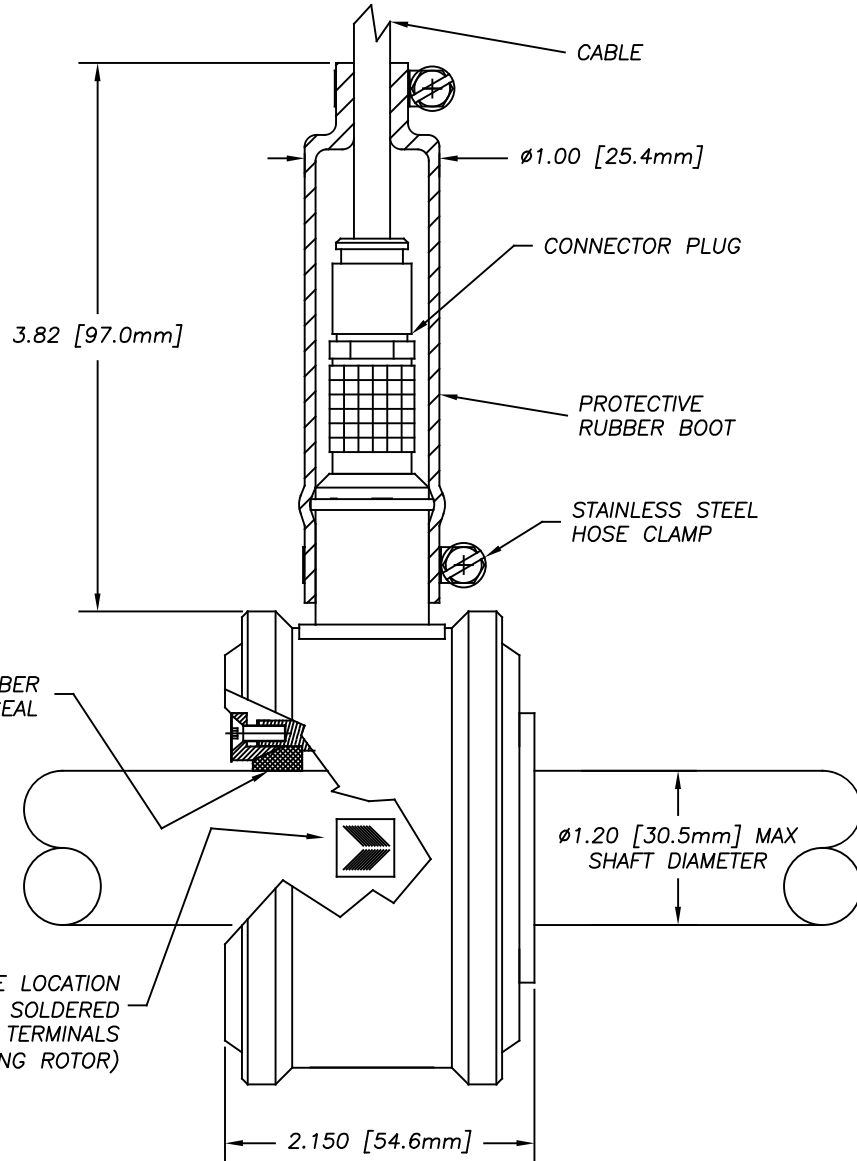
C309075B



∅3.285 [83.5 mm]

STRAIN GAGE LOCATION
(LEAD WIRES SOLDERED
TO COLOR CODED TERMINALS
ON SLIP RING ROTOR)

SELECTIVE RUBBER
COMPRESSION SEAL



CABLE

∅1.00 [25.4mm]

CONNECTOR PLUG

PROTECTIVE
RUBBER BOOT

STAINLESS STEEL
HOSE CLAMP

∅1.20 [30.5mm] MAX
SHAFT DIAMETER

2.150 [54.6mm]

3.82 [97.0mm]

<p>MICHIGAN SCIENTIFIC CORPORATION 08500 ANCE ROAD CHARLEVOIX, MI 49720 PHONE: (616)547-5511 FAX: (616)547-7070</p>			
TOLERANCES	.xxxx ±----	7-27-98	
	.xxx ±---	DRAWN BY:	TITLE:
	.xx ±--	DKK	HFSTR/LIT
	ANGLES ±-°--'	CHECKED BY:	SHT OF SHTS: SIZE
SURFACE FINISH	---RMS	JAM	BH
DRAWING NO.:	MATERIAL:		
C309075B	WEATHERPROOF		