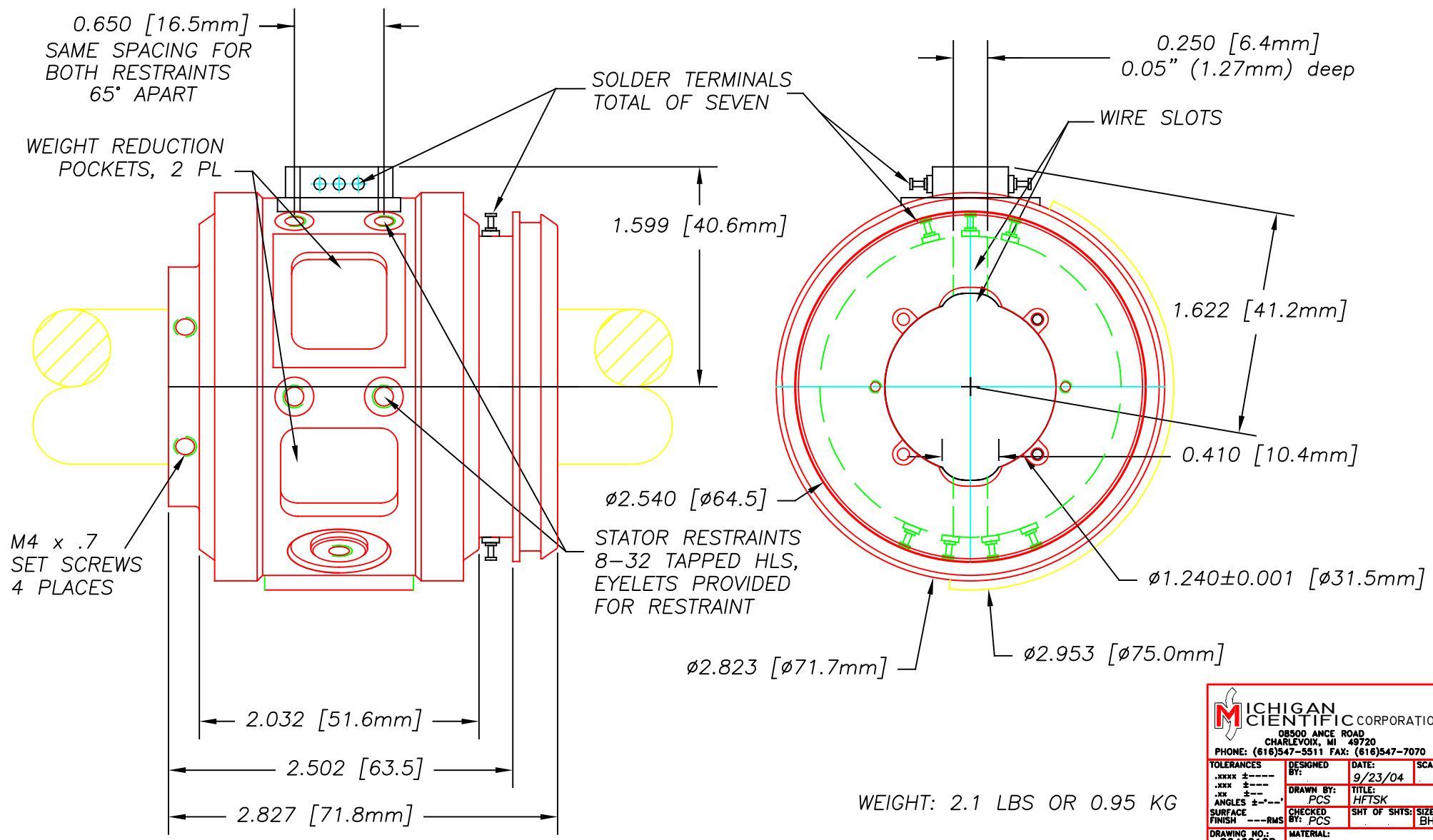


C646012B

1 2 3 4 5 6 7 8 9 10 11 12 13 14 15



WEIGHT: 2.1 LBS OR 0.95 KG

**MICHIGAN SCIENTIFIC CORPORATION**  
 08500 ANCE ROAD  
 CHARLEVOIX, MI 49720  
 PHONE: (616)547-5511 FAX: (616)547-7070

TOLERANCES .XXXX ±----	DESIGNED BY:	DATE: 9/23/04	SCALE:
.XXX ±---	DRAWN BY: PCS	TITLE: HFTSK	
.XX ±--	CHECKED BY: PCS	SHT OF SHTS:	SIZE BH
ANGLES ±-°--'	DRAWING NO.: C646012B	MATERIAL:	
SURFACE FINISH ---RMS			