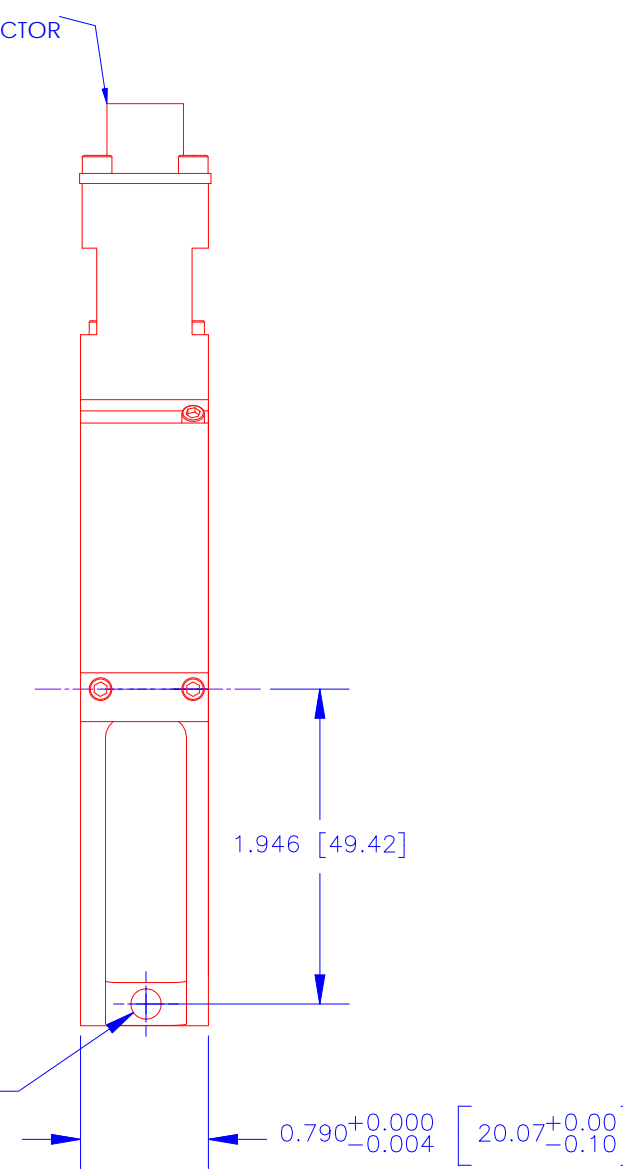


$\phi 2.000^{+0.002}_{-0.000}$  [  $\phi 50.80^{+0.05}_{-0.00}$  ]  
THRU BORE

SETS OF 4 SOLDER TERMINALS  
ARE SPACED 180° APART.  
THERE ARE 2 TERMINALS PER  
CONNECTION ON THE 4 CHANNEL  
UNITS. THE EXTRA TERMINAL IS A  
BACKUP IN CASE ONE IS DAMAGED  
DURING USE

BENDIX  
4-PIN CONNECTOR

$\phi 0.188$  [Ø4.76]  
THRU HOLE  
FOR STATOR  
RESTRAINT



C566030A  
B4-2WT  
07/20/2005