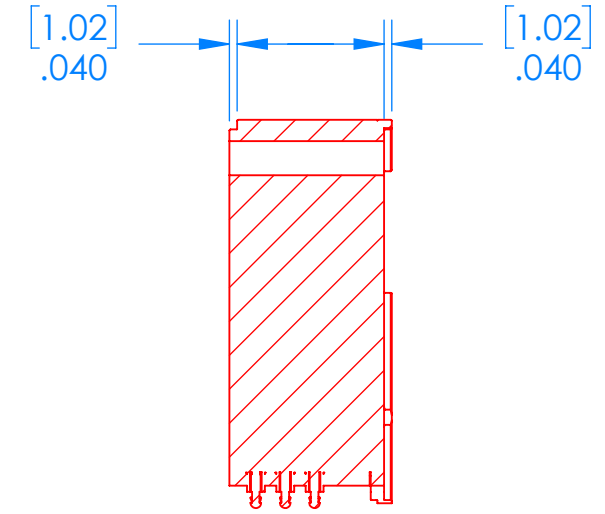
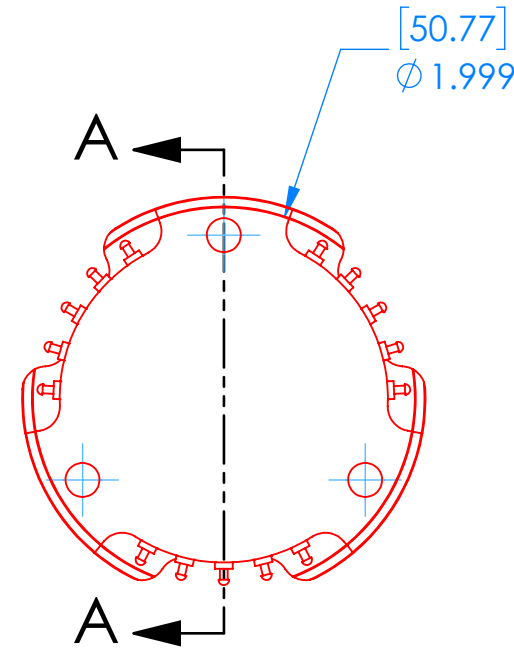
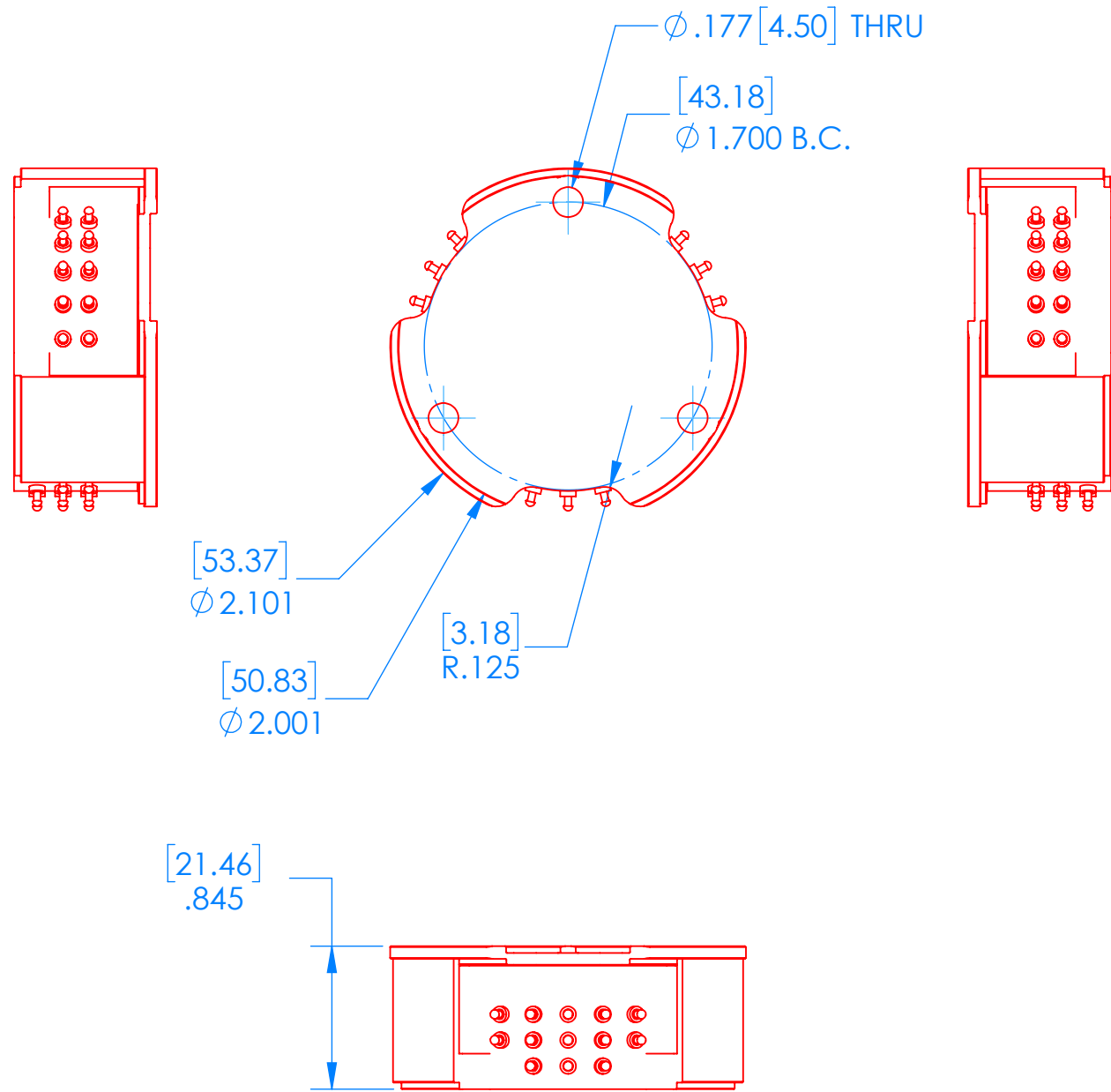


1008449



# AMP-SG3-U2 CUSTOMER MODEL

A  
B  
C  
D  
E  
F  
G  
H  
I

1 2 3 4 5 6 7 8 9 10 11 12 13 14 15



SECTION A-A

UNLESS OTHERWISE SPECIFIED: TOLERANCES: .XXXX ±.0010 .XXX ±.005 .XX ±.01		 <b>MICHIGAN SCIENTIFIC CORPORATION</b> 8500 ANCE ROAD CHARLEVOIX, MICHIGAN 49720 www.michsci.com	
THIRD ANGLE PROJECTION 		<b>PRODUCT LINE:</b> AMP-SG3-U2 CUSTOMER MODEL	
DETAILS AND SPECIFICATIONS PROVIDED IN THIS DOCUMENT ARE PURELY FOR INFORMATIONAL PURPOSES AND ARE SUBJECT TO ALTERATIONS. NO LIABILITY IS ACCEPTED FOR ERRORS OR OMISSIONS.		<b>REV</b> <b>A1</b>	<b>DWG. NO.</b> <b>1008449</b>
<b>REV DATE:</b> 08/24/22		<b>SCALE:</b> 1:1	<b>SIZE</b> <b>B</b>
		<b>SHEET 1 OF 1</b>	