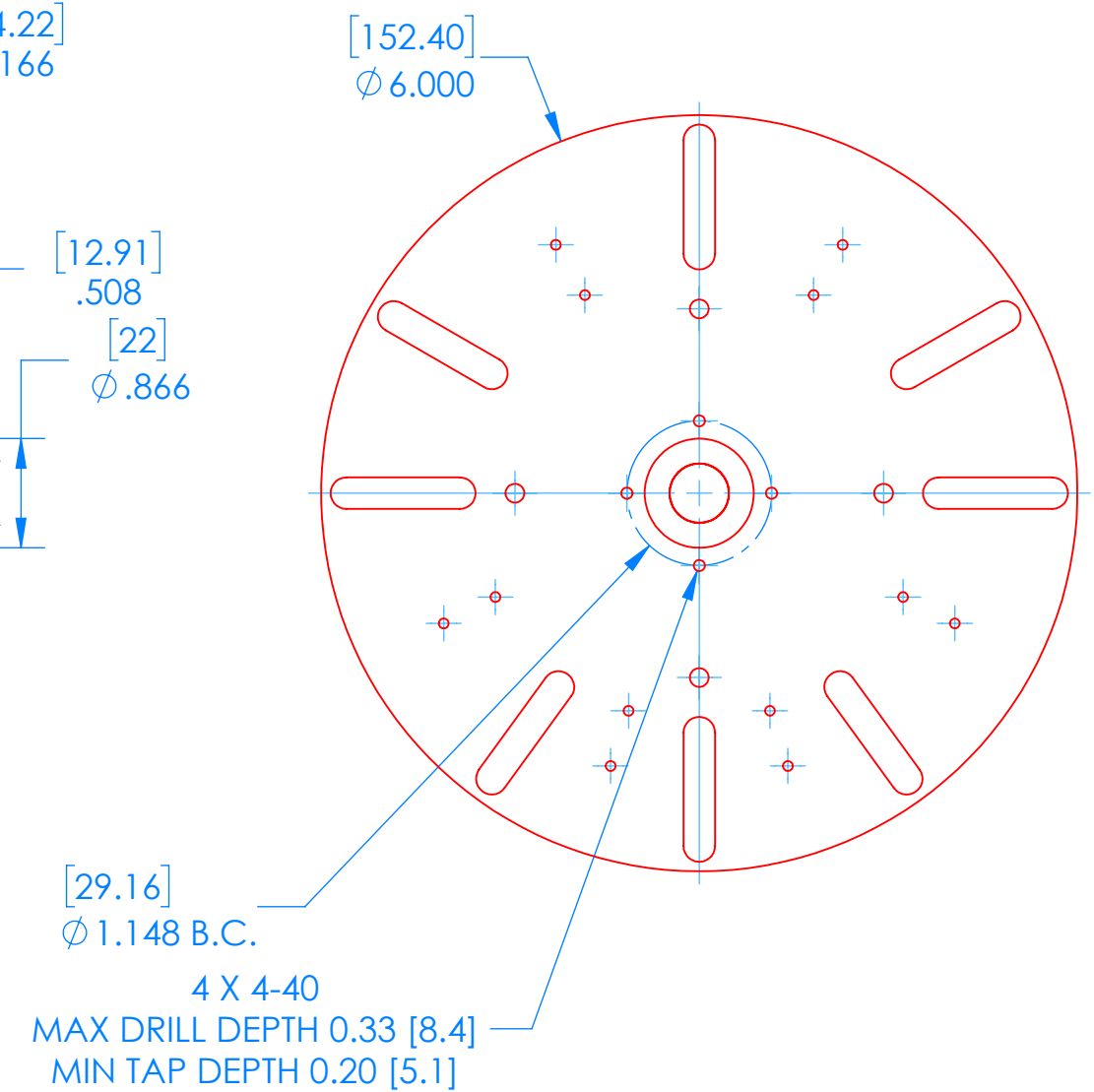
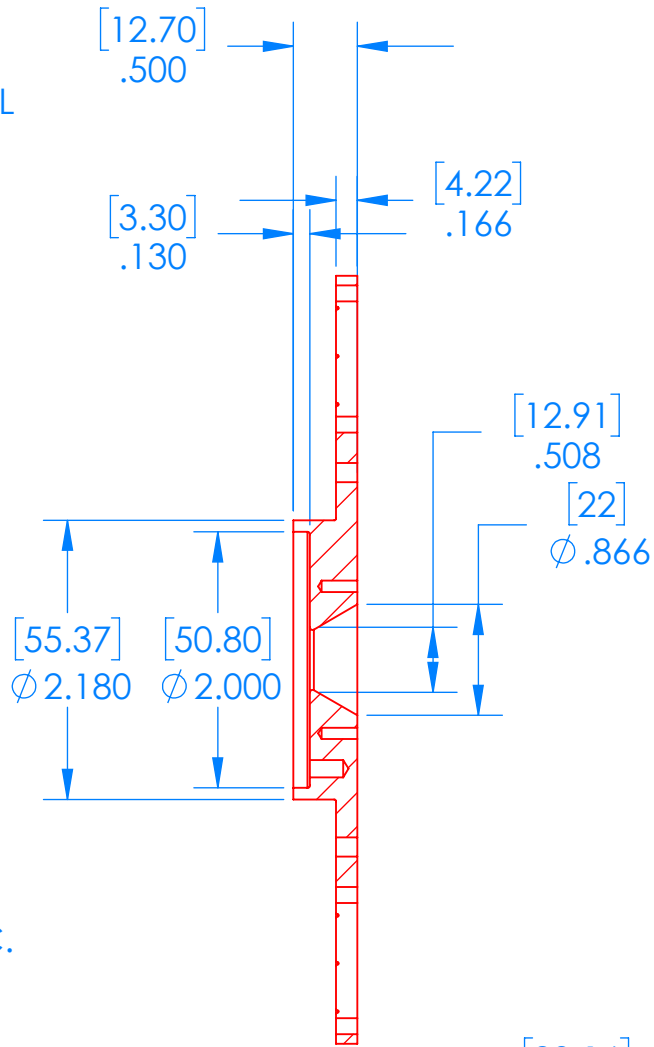
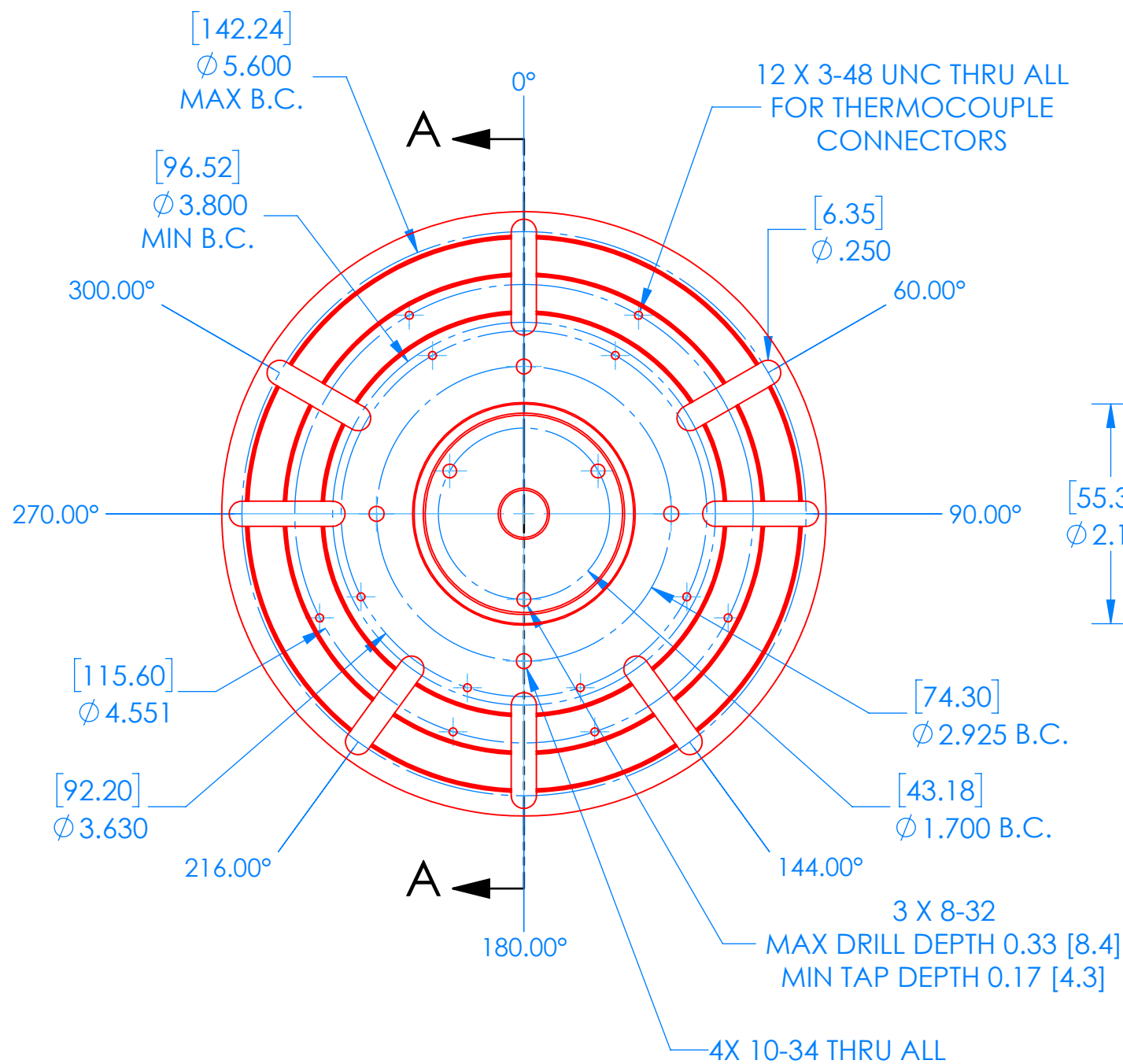


1019508

6 IN WHEEL ADAPTER PLATE FOR 2.0 IN ROTOR

A
B
C
D
E
F
G
H
I



UNLESS OTHERWISE SPECIFIED: TOLERANCES: .XXXX ±.0010 .XXX ±.005 .XX ±.01		MICHIGAN SCIENTIFIC CORPORATION 8500 ANCE ROAD CHARLEVOIX, MICHIGAN 49720 www.michsci.com	
THIRD ANGLE PROJECTION 		PRODUCT LINE: N/A	
DETAILS AND SPECIFICATIONS PROVIDED IN THIS DOCUMENT ARE PURELY FOR INFORMATIONAL PURPOSES AND ARE SUBJECT TO ALTERATIONS. NO LIABILITY IS ACCEPTED FOR ERRORS OR OMISSIONS.		MODEL NUMBER: 6 IN WHEEL ADAPTER PLATE FOR 2.0 IN ROTOR	REV A
REV DATE: 09/14/22		DWG. NO. 1019508	SIZE B
SCALE: 2:3		SHEET 1 OF 1	

DO NOT SCALE

©2022 MICHIGAN SCIENTIFIC CORPORATION