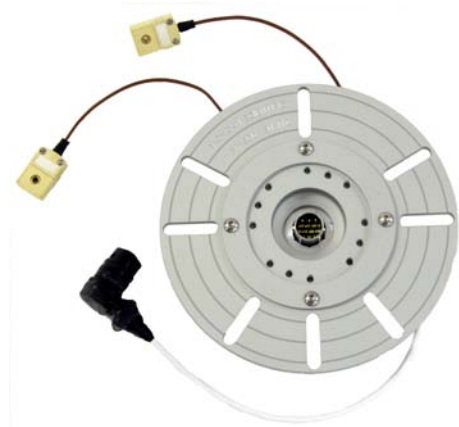


Wheel Instrumentation Package (WIP)

Model WIP

- Weatherproof when used with MSC slip ring
- Precision bridge excitation of 5 or 10 volts
- Bridge excitation may be remotely controlled
- Amplified strain signal is at high-level voltage
- Thermocouples available in K, J, E and T types
- TC signals amplified to 10mV/degC
- Mates most wheel lug patterns



Description

The *Wheel Instrumentation Package (WIP)* is a combination of Michigan Scientific's precision strain gage amplifier and two precision thermocouple amplifiers. Michigan Scientific's *WIP* is ideal for collecting data in wheel applications. The amplifiers are built into a low profile rugged housing that when used with Michigan Scientific slip rings are weatherproof. The *WIP* enables the assembly to mount to a variety of wheel lug bolt patterns. This configuration greatly improves signal quality because the amplifier is located closer to the sensor, which reduces errors due to long lead wires, connector resistance variations, and electro-magnetic interference.

The built-in strain gage amplifier provides strain gage bridge excitation and signal amplification. These amplifiers incorporate a precision low-drift bridge excitation supply, a stable differential amplifier, and a remotely activated shunt calibration resistor for system span verification. The built-in thermocouple amplifier provides cold junction compensation and signal amplification for two thermocouple sensors. All components in the assembly are durable and designed to withstand severe testing environments. This system is typically used for wheel applications; however, it is suitable for other applications in which weatherproof instrumentation is required. The *WIP* has many configurations to fit a wide variety of testing applications, including non-amplified sensor interfaces.

Specifications

For Amplifier specifications please see AMP-SG-M1 and AMP-TC-M1.

8500 Ance Road
Charlevoix, MI 49720
Tel: 231-547-5511
Fax: 231-547-7070

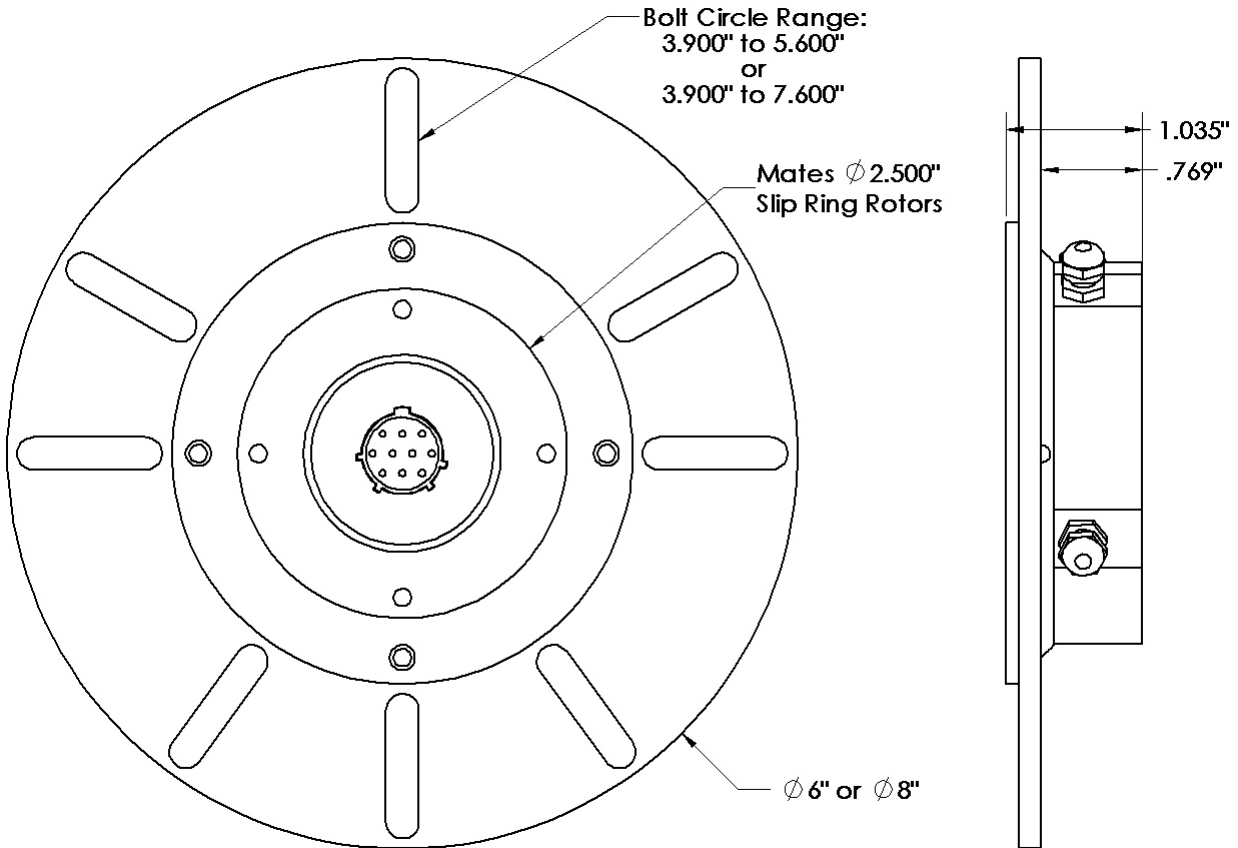
MICHIGAN SCIENTIFIC
<http://www.michsci.com>
Email: mscinfo@michsci.com
corporation

321 East Huron Street
Milford, MI 48381
Tel: 248-685-3939
Fax: 248-685-5406

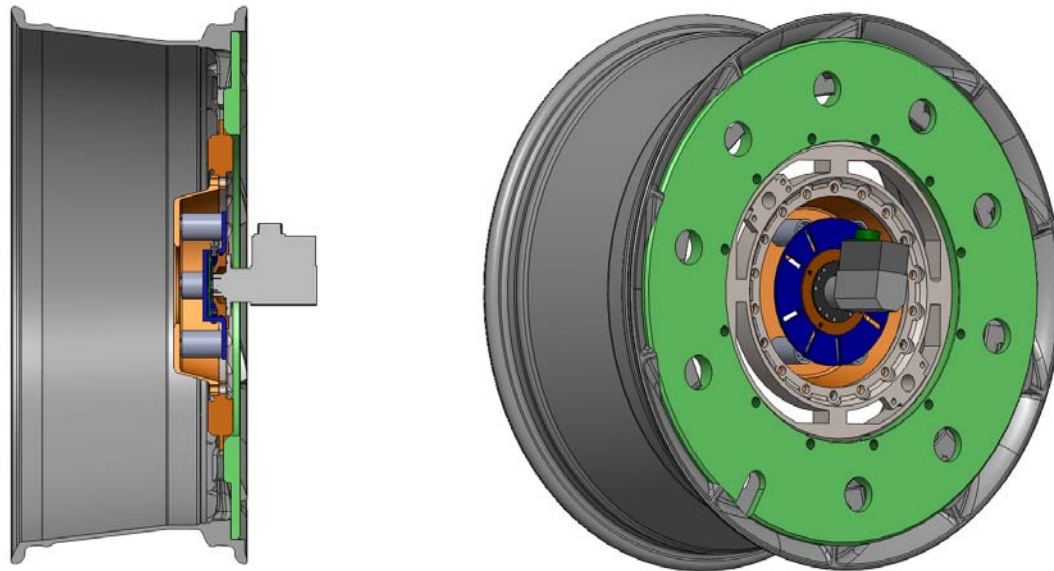
Rev: 7/29/11

Wheel Instrumentation Package (WIP)

Drawing



Wheel Configuration



8500 Ance Road
Charlevoix, MI 49720
Tel: 231-547-5511
Fax: 231-547-7070
Rev: 7/29/11

MICHIGAN SCIENTIFIC
corporation
<http://www.michsci.com>
Email: mscinfo@michsci.com

321 East Huron Street
Milford, MI 48381
Tel: 248-685-3939
Fax: 248-685-5406