

Round Three Directional Load Cell

Model TR3D-A-*

- 1000 lb, 3000 lb, and 5000 lb capacity
- Measures forces in three directions
- Environmentally protected
- Temperature compensated
- Rugged construction



Description

Michigan Scientific's *TR3D-A-** transducers are ideal for applications that require force measurements in three directions. Available in 1000 lb, 3000 lb, and 5000 lb capacities, these transducers are typically used for automotive body mount and engine mount force measurements.

The 3000 lb and 5000 lb models are made of high grade stainless steel material, and the 1000 lb model is made of high grade aluminum. These materials, in addition to weatherproof sealing, combine to provide excellent resistance to corrosion and environmental conditions. Temperature compensation of the transducers ensure stable output throughout a wide temperature range. In addition, the transducers are configured for easy adaptation to a variety of applications.

Specifications

	TR3D-A-1K	TR3D-A-3K	TR3D-A-5K
Maximum Load Capacity	1000 lbs (454 kg)	3000 lbs (1361 kg)	5000 lbs(2268 kg)
Full Scale Load	1000 lbs (454 kg)	3000 lbs (1361 kg)	5000 lbs (2268 kg)
Full Scale Output	4.0 mV/V, nominal, all channels		
Sensor	3 Four-arm strain gage bridges		
Nonlinearity	1.0% of full scale vertical channel 0.5% of full scale F&A and lateral channels		
Hysteresis	0.05% of full scale output		
Repeatability	0.05% of full scale output		
Zero Balance	Within $\pm 5.0\%$ of rated output at zero load		
Temperature Range, Compensated**	75°F to 200°F (24°C to 93°C)		
Temperature Effect on Zero	<0.5% full scale		
Temperature Range, Useable	-40°F to 300°F (-40°C to 149°C)		
Excitation Voltage, Maximum	10V DC or AC rms		
Insulation Resistance, Bridge/Case	Exceeds 5000 M Ω		

**Contact factory for other compensated ranges.

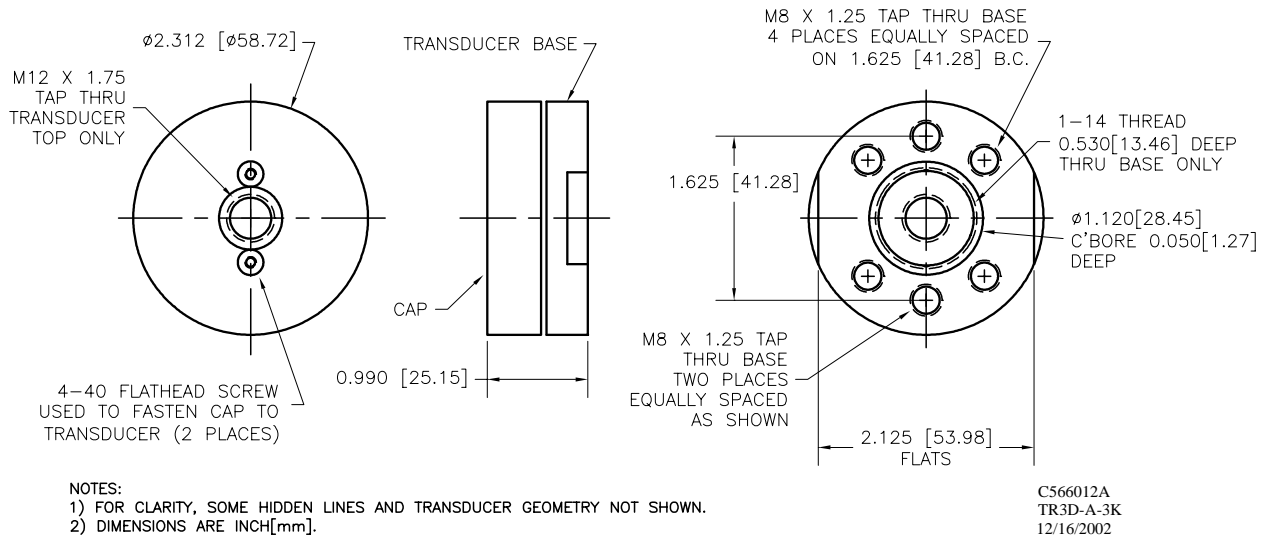
8500 Ance Road
Charlevoix, MI 49720
Tel: 231-547-5511
Fax: 231-547-7070
Rev: 8/27/03

MICHIGAN SCIENTIFIC
<http://www.michsci.com>
Email: mscinfo@michsci.com
corporation

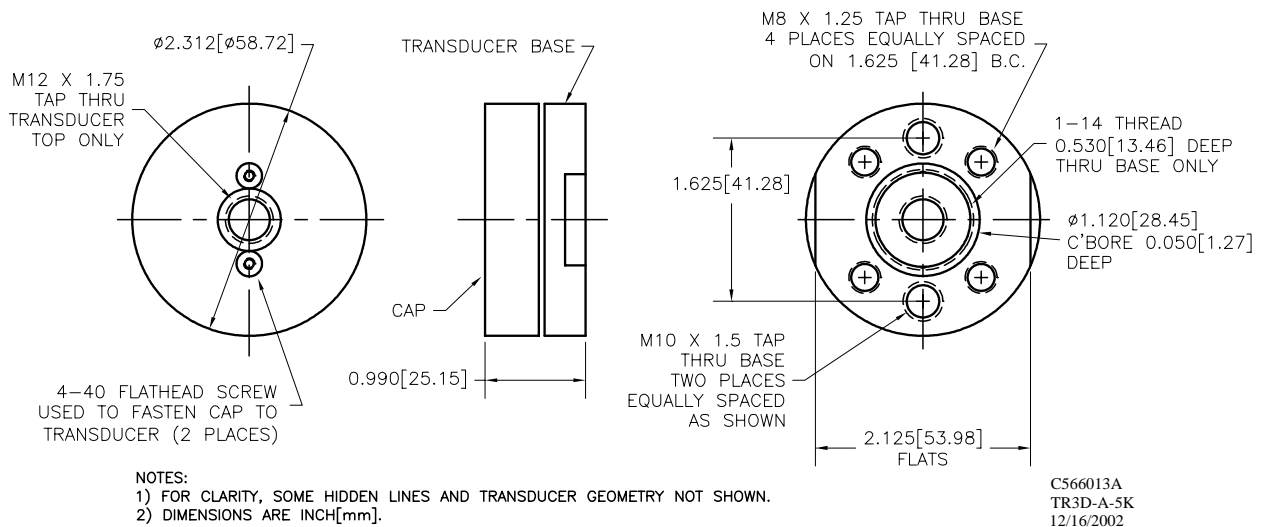
321 East Huron Street
Milford, MI 48381
Tel: 248-685-3939
Fax: 248-684-5406

Round Three Directional Load Cell

TR3D-A-3K Configuration



TR3D-A-5K Configuration



Ordering Options

Connectors and cable length must be specified by the customer.

8500 Ance Road
 Charlevoix, MI 49720
 Tel: 231-547-5511
 Fax: 231-547-7070
 Rev: 8/27/03

MICHIGAN SCIENTIFIC
<http://www.michsci.com>
 Email: mscinfo@michsci.com
corporation

321 East Huron Street
 Milford, MI 48381
 Tel: 248-685-3939
 Fax: 248-684-5406