

# Weatherproof Tubular Slip Ring Assembly

## Model B6-3.2W

- 6 circuit weatherproof slip ring
- Compact design
- Mounts on shafts up to 3.2" [81.3 mm] in diameter
- Permanently lubricated bearings
- Rugged stainless steel construction
- Instrumentation quality rings and brushes



## Description

Michigan Scientific's *B6-3.2W Weatherproof Slip Ring Assembly* is ideal for applications that require the slip ring to be sealed and mounted directly on a rotating shaft. Typically used for automotive drive shaft measurement applications, this model employs specially designed seals that provide weatherproof protection from water, mud, snow, dust, and other contaminants. It is designed to fit on shafts up to 3.2" in diameter and make electrical connections to strain gages, thermocouples, or other sensors that have been installed on rotating equipment. The slip ring brushes and rings are made of precious metals which minimize noise and enable the assemblies to be used for low level instrumentation signals.

The six circuit capacity of this slip ring allows for more than one full bridge strain gage measurement channel. This is particularly useful for drive shaft applications where both torque and axial measurements are needed. In addition, the *B6-3.2W* provides enough circuit connections for use with spinning amplifiers. Locating precision amplifiers on the rotating side of the slip ring greatly improves signal quality because the amplifier is located closer to the sensor. This reduces errors due to long lead wires, connector resistance variations, electro-magnetic interference, and temperature gradients across slip ring contacts.

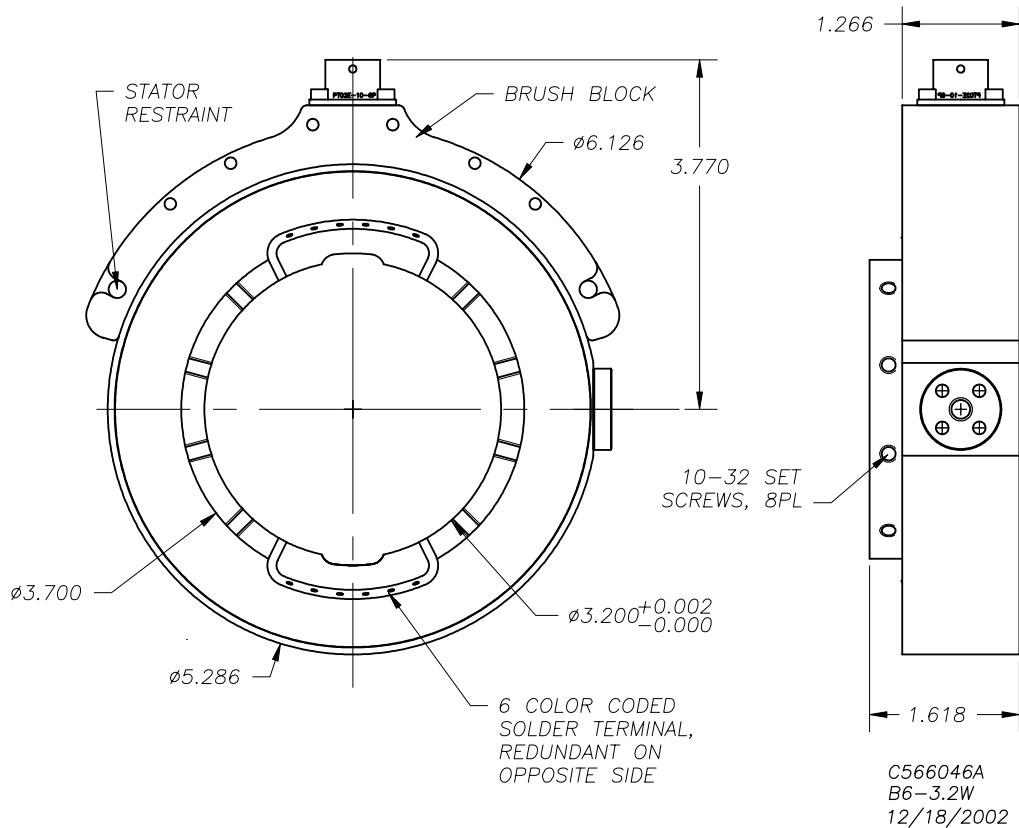
Connections are made through color coded solder terminals located on the slip ring rotor, and a connector on the slip ring stator. The compact design of these slip rings make them ideal for applications where limited space is available.

## Specifications

Circuits	6
Current Capacity per Circuit	1A
Temperature Range	-40°F to 250°F (-40°C to 121°C)
RPM Rating	4500 RPM continuous; 6000 RPM bursts
Maximum Peak Noise	0.1Ω
Width	1.618 in (41.097 mm)
Weight	2.16 lbs (0.98 kg)
Output Connector	Bendix PT02E-10-6P
Mating Connector	Bendix PT06E-10-6S (SR)
* Resistance variation across slip ring contact.	

# Weatherproof Tubular Slip Ring Assembly

## B6-3.2W Configuration



## Mounting

The *B6-3.2W Slip Ring Assembly* can be easily mounted on a shaft. An additional bushing is required when using the slip rings on shafts smaller than 3.2" in diameter. The slip ring rotor is configured with eight #10-24 set screws used for mounting. Signal wires from the sensors can be routed along the outside diameter of the shaft. A wire path slot is machined into the slip ring rotor, enabling wires to be mounted under the slip ring and to the color coded solder terminals.

## Ordering Options

Special units are available for high speed applications that continuously exceed 7000 RPM. Contact Michigan Scientific for further information.

The slip ring rotates in both clockwise and counterclockwise directions; however, an optimal sealing direction may be specified.

Mating Bendix connector included. For information regarding slip ring accessories, refer to the "Price List and Accessories" section.

8500 Ance Road  
Charlevoix, MI 49720  
Tel: 231-547-5511  
Fax: 231-547-7070  
Rev: 7/22/05

**MICHIGAN SCIENTIFIC**  
<http://www.michsci.com>  
Email: [mscinfo@michsci.com](mailto:mscinfo@michsci.com)  
corporation

321 East Huron Street  
Milford, MI 48381  
Tel: 248-685-3939  
Fax: 248-685-5406